

NPN

New Product News



RHINOTURN

ECO TURNING LINE

New RHINOTURN Adapters for ISO Turning Holders



KEY POINT

TaeguTec has launched new RHINOTURN adapters that enable the mounting of small size RHINOTURN inserts to existing ISO standard turning holders.

TaeguTec's economical smaller size RHINOTURN insert line provides strong and excellent machining performance versus ISO type inserts. However, the RHINOTURN insert line requires using specific RHINOTURN holders.

Thus, TaeguTec has introduced RHINOTURN adapters that allow the use of RHINOTURN inserts without replacing the existing ISO turning holders. It permits end users to switch from the existing ISO type inserts to the higher performance RHINOTURN inserts.

With the new RHINOTURN adapters, customers using existing ISO holders can apply and test RHINOTURN inserts without changing the holders.

These holders are specifically designed for the RHINOTURN adapters that are compatible with lever type ISO turning holders.

For further technical information, please contact the product manager.

Holders, inserts and RHINOTURN adapters designation information

Holders	ISO inserts	RHINOTURN inserts	RHINOTURN adapters
PCLNR/L...12	CNMG 1204...	CNMG 0904...	6339433 AD-PCL-12/09-SET
PCLNR/L...12	CNMG 1204...	WNMX 0604...	6339434 AD-PCL-12/06W-SET
PWLNR/L...08	WNMG 0804...	WNMX 0604...	6339435 AD-PWL-08/06-SET
PS...NR/L...12	SNMG 1204...	SNMG 0904...	6339436 AD-PSS-12/09-SET

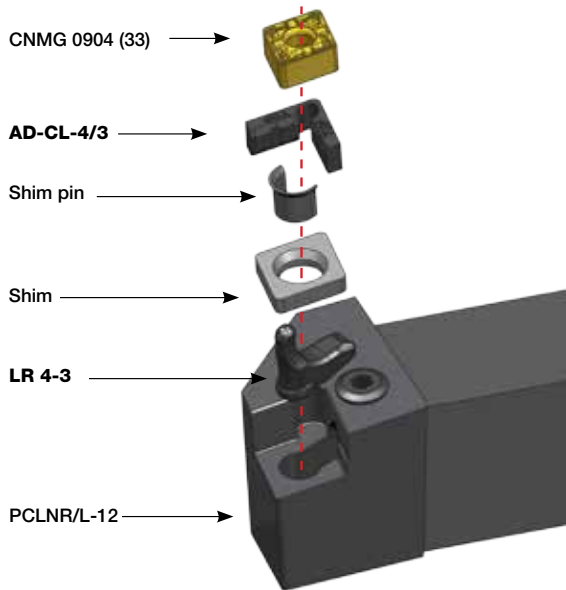


[▲ Click link to see video](#)

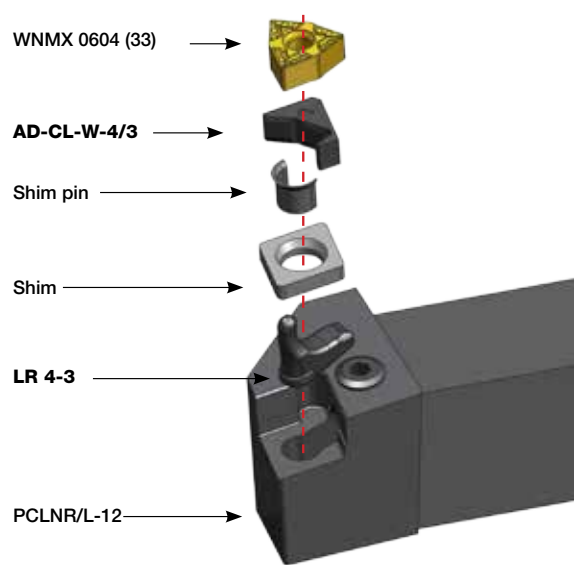


Inserts and RHINOTURN adapters' components information

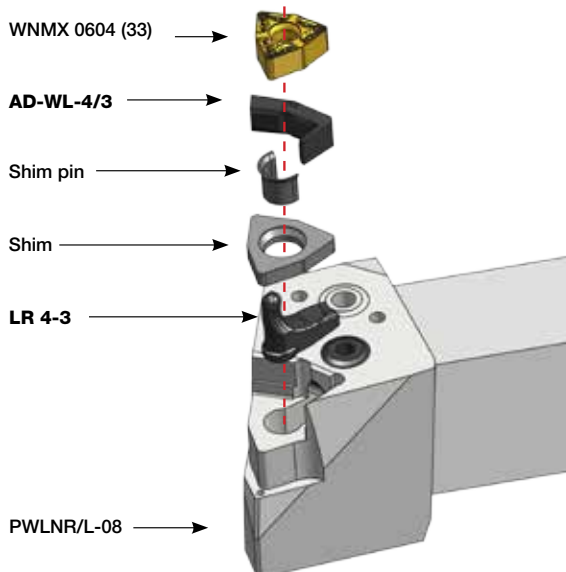
CNMG 1204 → CNMG 0904



CNMG 1204 → WNMX 0604



WNMG 0804 → WNMX 0604



SNMG 1204 → SNMG 0904

