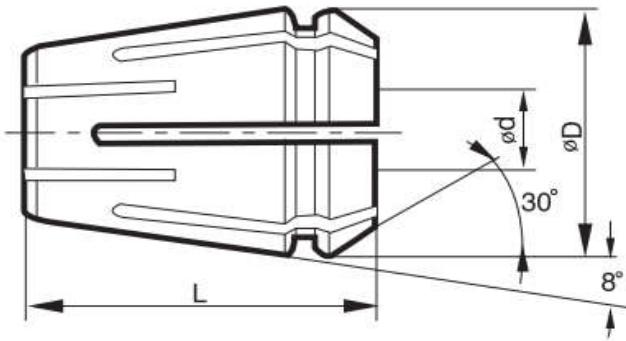


DAMATACO Collet ER



Made in Taumax - DINE - KORLOY KOREA

Designation	ØD	L	Range	High accuracy type
ER11-1	11.5	18	0.5	10µm
ER11-2	11.5	18	0.5	10µm
ER11-3	11.5	18	0.5	10µm
ER11-4	11.5	18	0.5	10µm
ER11-5	11.5	18	0.5	10µm
ER11-6	11.5	18	0.5	10µm
ER11-7	11.5	18	0.5	10µm
Designation	ØD	L	Range	High accuracy type
ER16-2	17	27.5	1	10µm
ER16-3	17	27.5	1	10µm
ER16-4	17	27.5	1	10µm
ER16-5	17	27.5	1	10µm
ER16-6	17	27.5	1	10µm
ER16-7	17	27.5	1	10µm
ER16-8	17	27.5	1	10µm
ER16-9	17	27.5	1	10µm
ER16-10	17	27.5	1	10µm
Designation	ØD	L	Range	High accuracy type
ER20-2	21	31.5	1	10µm
ER20-3	21	31.5	1	10µm
ER20-4	21	31.5	1	10µm
ER20-5	21	31.5	1	10µm
ER20-6	21	31.5	1	10µm
ER20-7	21	31.5	1	10µm
ER20-8	21	31.5	1	10µm
ER20-9	21	31.5	1	10µm
ER20-10	21	31.5	1	10µm
ER20-11	21	31.5	1	10µm
ER20-12	21	31.5	1	10µm
ER20-13	21	31.5	1	10µm

Designation	ØD	L	Range	High accuracy type
ER25-4	26	34	1	10µm
ER25-5	26	34	1	10µm
ER25-6	26	34	1	10µm
ER25-7	26	34	1	10µm
ER25-8	26	34	1	10µm
ER25-9	26	34	1	10µm
ER25-10	26	34	1	10µm
ER25-11	26	34	1	10µm
ER25-12	26	34	1	10µm
ER25-13	26	34	1	10µm
ER25-14	26	34	1	10µm
ER25-15	26	34	1	10µm
ER25-16	26	34	1	10µm
Designation	ØD	L	Range	High accuracy type
ER32-4	33	40	1	10µm
ER32-5	33	40	1	10µm
ER32-6	33	40	1	10µm
ER32-7	33	40	1	10µm
ER32-8	33	40	1	10µm
ER32-9	33	40	1	10µm
ER32-10	33	40	1	10µm
ER32-11	33	40	1	10µm
ER32-12	33	40	1	10µm
ER32-13	33	40	1	10µm
ER32-14	33	40	1	10µm
ER32-15	33	40	1	10µm
ER32-16	33	40	1	10µm
ER32-17	33	40	1	10µm
ER32-18	33	40	1	10µm
ER32-19	33	40	1	10µm
ER32-20	33	40	1	10µm
Designation	ØD	L	Range	High accuracy type
ER40-4	41	46	1	10µm
ER40-5	41	46	1	10µm
ER40-6	41	46	1	10µm
ER40-7	41	46	1	10µm
ER40-8	41	46	1	10µm
ER40-9	41	46	1	10µm
ER40-10	41	46	1	10µm
ER40-11	41	46	1	10µm
ER40-12	41	46	1	10µm
ER40-13	41	46	1	10µm
ER40-14	41	46	1	10µm
ER40-15	41	46	1	10µm
ER40-16	41	46	1	10µm
ER40-17	41	46	1	10µm
ER40-18	41	46	1	10µm
ER40-19	41	46	1	10µm
ER40-20	41	46	1	10µm

ER40-21	41	46	1	10 μ m
ER40-22	41	46	1	10 μ m
ER40-23	41	46	1	10 μ m
ER40-24	41	46	1	10 μ m
ER40-25	41	46	1	10 μ m
ER40-26	41	46	1	10 μ m

 **KORLOY**  **DINE**



 **TAUMAX** ^{2nd} brand