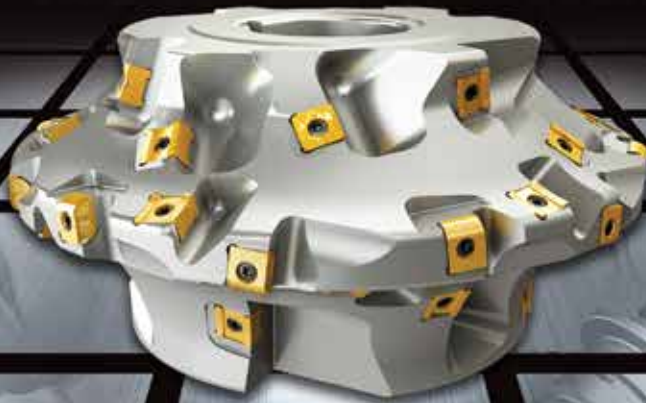


# Special Products



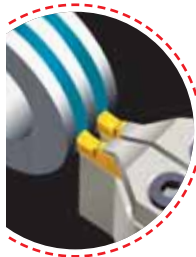
# CONTENTS

***TURNING***



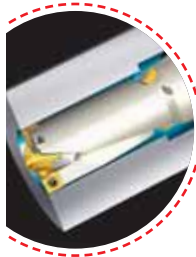
**3-9**

***GROOVING***



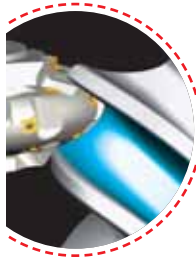
**10-21**

***HOLEMAKING***



**22-33**

***MILLING***



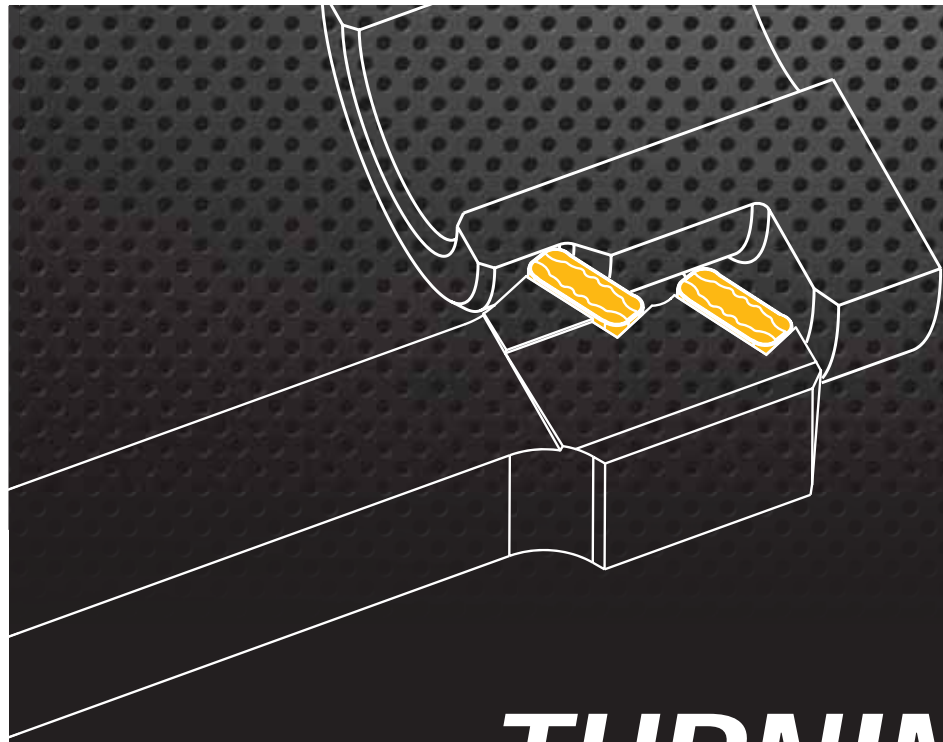
**34-48**

***MILLING***

***- AUTOMOTIVE***

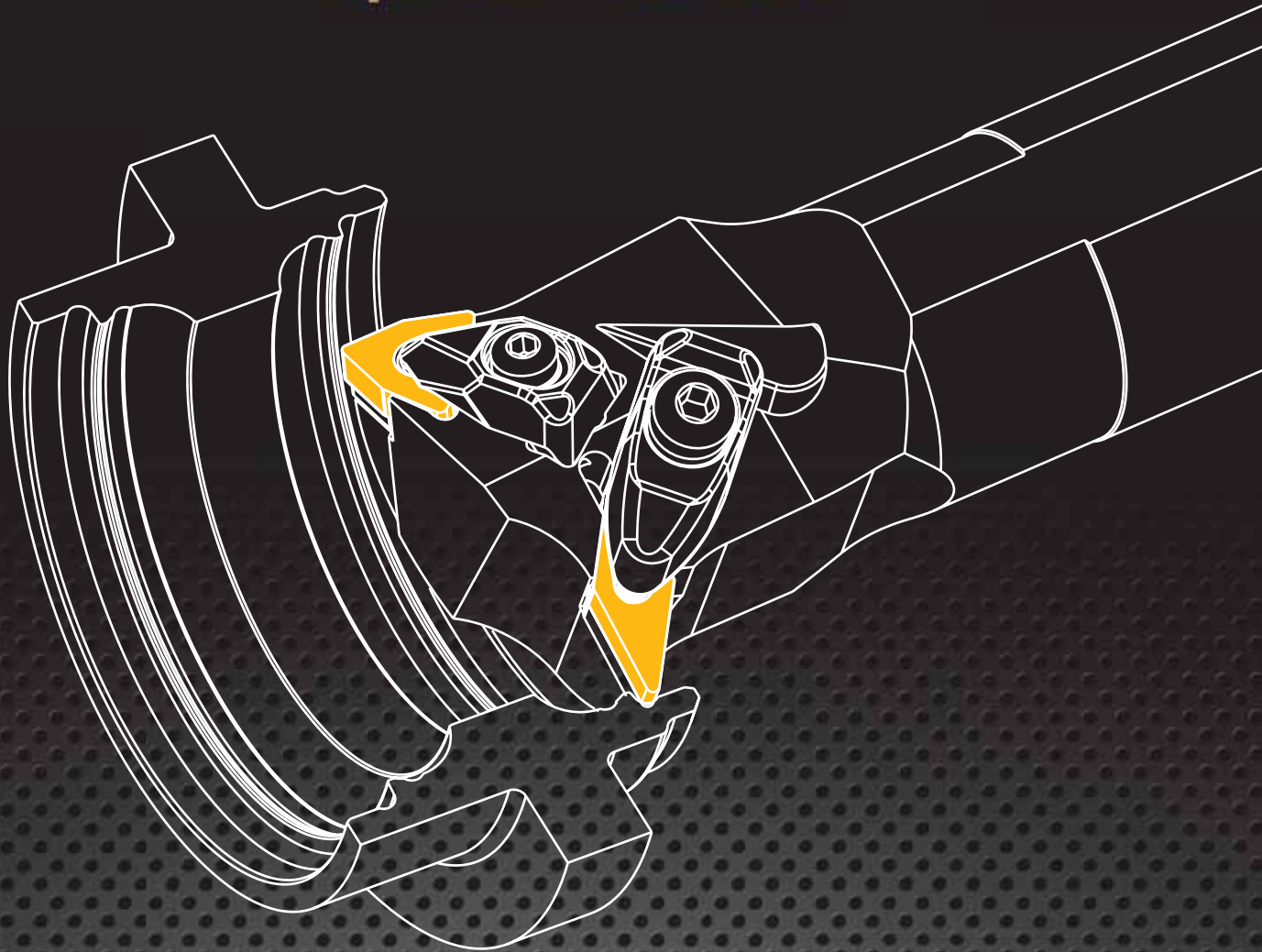


**49-55**



# ***TURNING***

**Special Products**

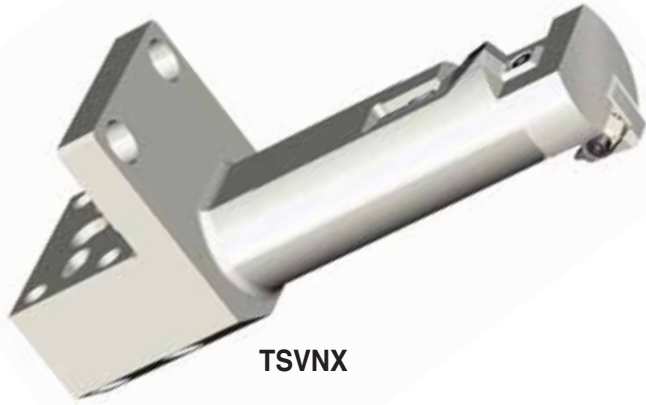




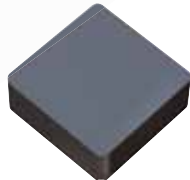
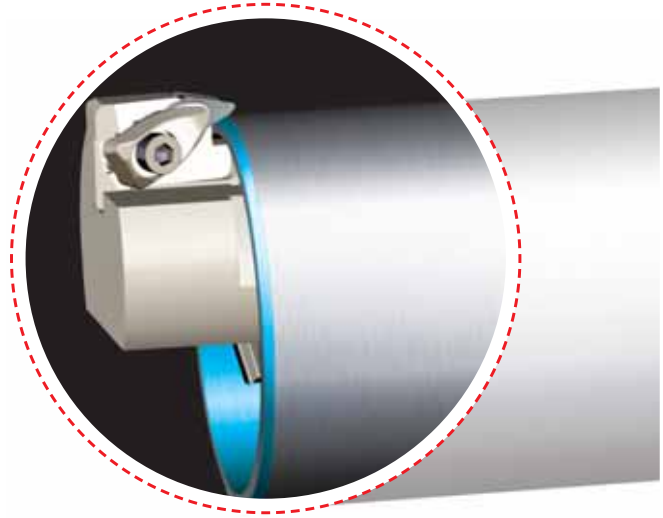
# TURNING

## Multi function boring tool - Twin head type

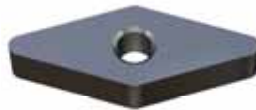
Boring + Facing + Chamfering for Cylinder liner



TSVNX



SNGN



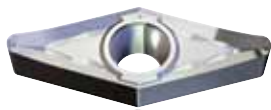
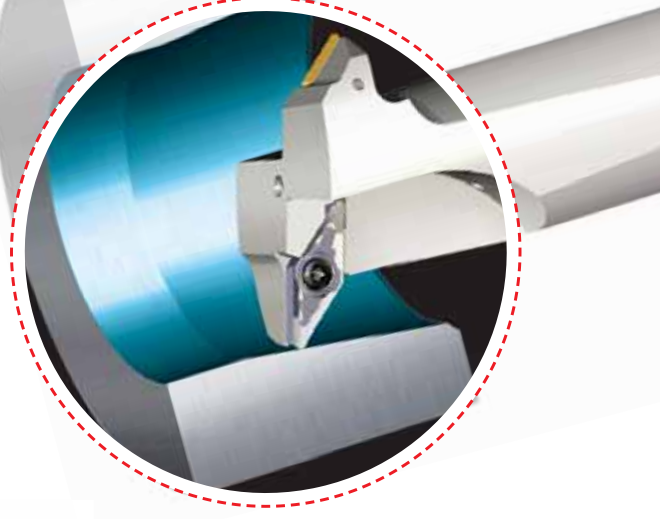
VNGA

## Special boring tool - Twin head type

Roughing + Finishing for Rod



C5-SVXCLR



VCGT



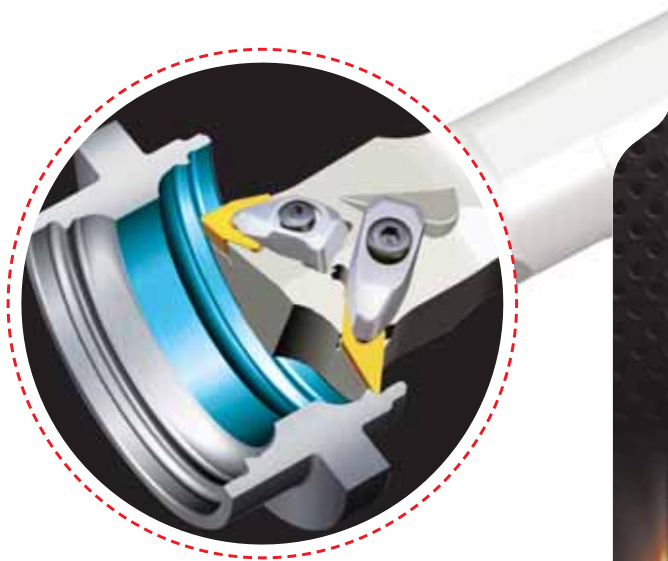
VNMG



# TURNING

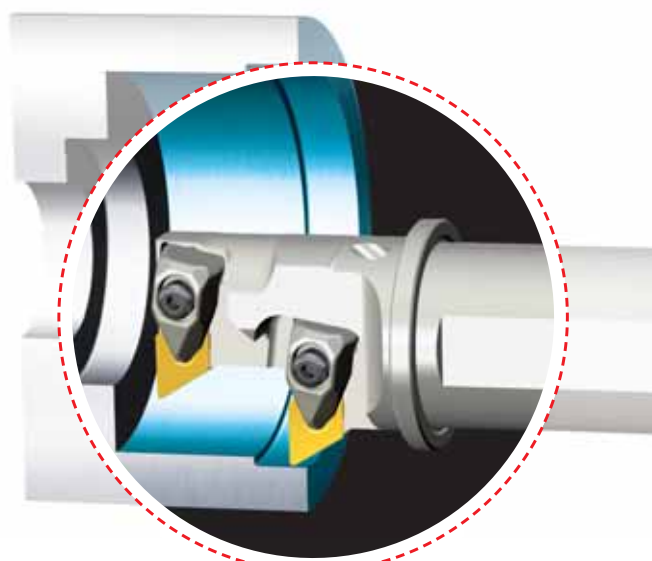
## Special boring bar - Twin head type

*Boring + Undercutting for Bearing*



## Step boring bar - Twin head type

*Boring + Facing for Pump housing*



# TURNING

## Multi function boring bar

External turning & facing + Internal boring for Disk



TXXNX



SNGX



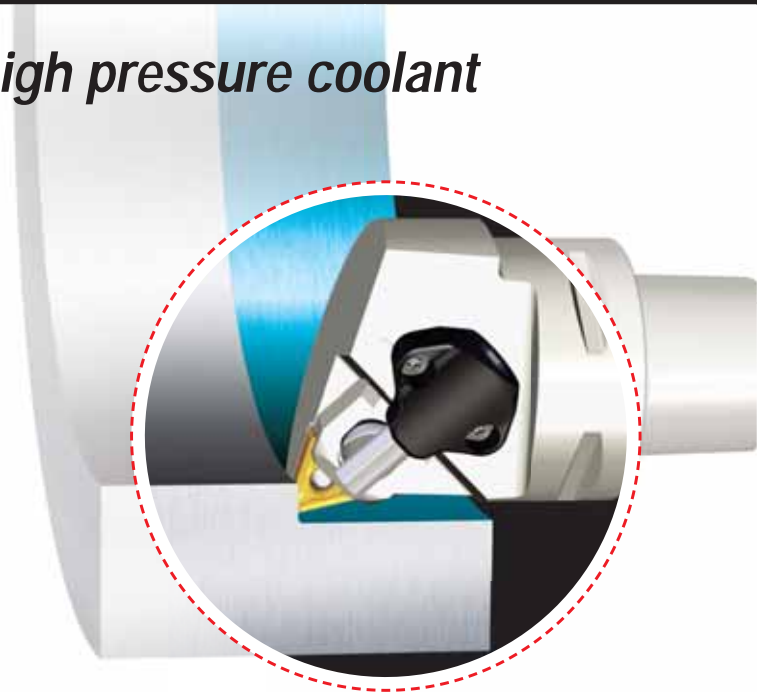
CNGX

## Special boring tool with high pressure coolant

C-Adapter with T-BURST for Valve



C4-WTXNR



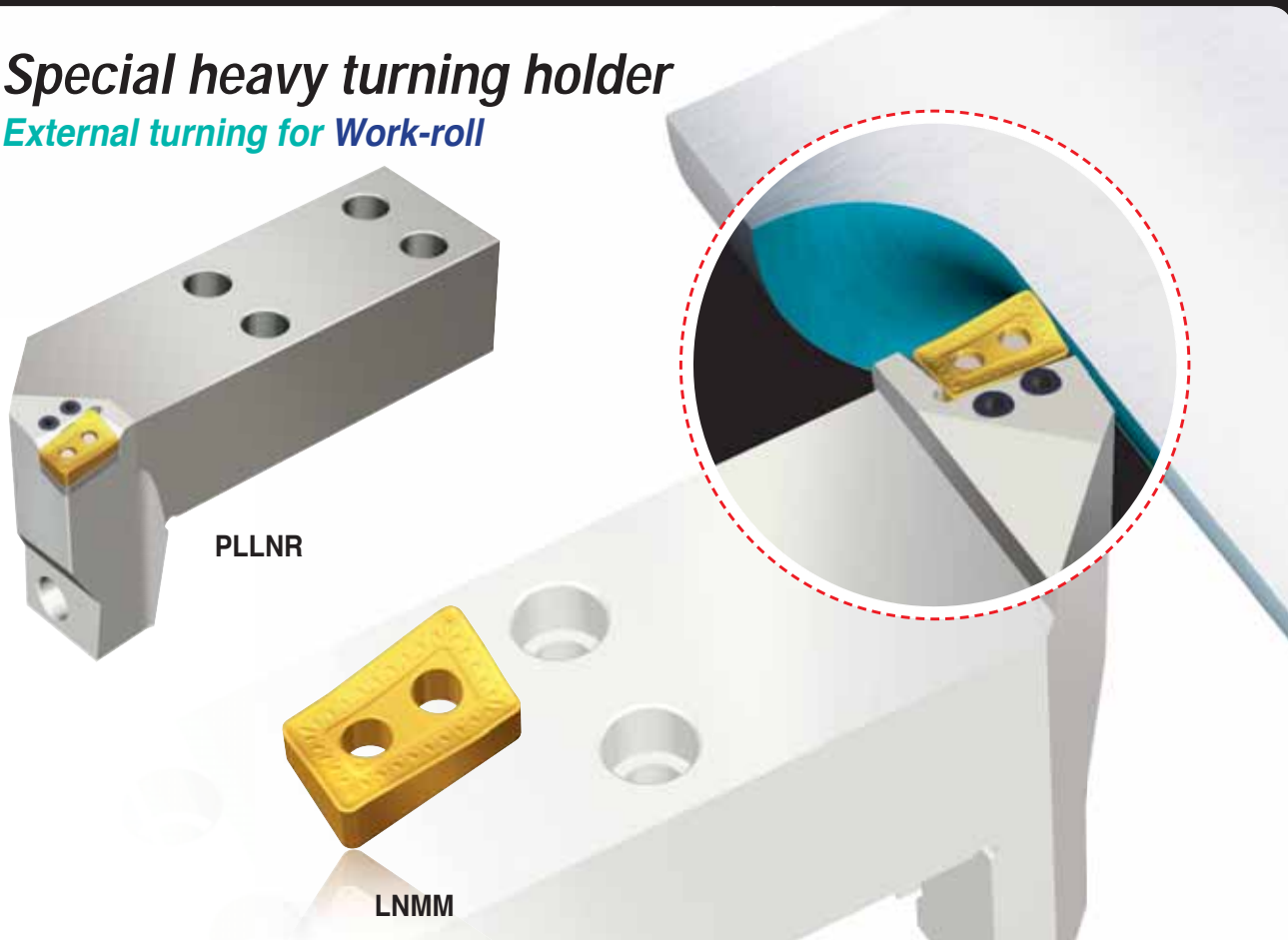
TNMG

# TURNING

## Special turning holder - Adjustable twin head type Facing + Undercutting with adjustable cartridge for Clutch



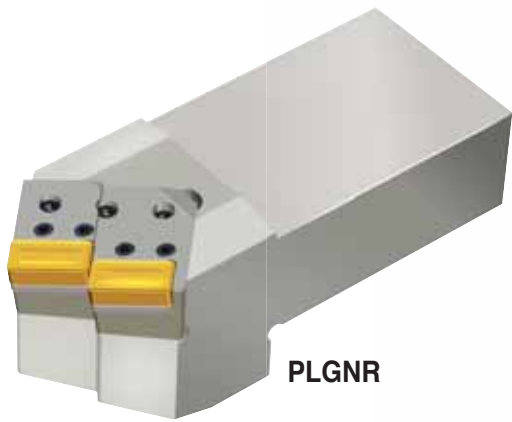
## Special heavy turning holder External turning for Work-roll





# TURNING

## Special heavy turning holder - Twin head type External roughing + Finishing for X-head pin of shipbuilding



PLGNR



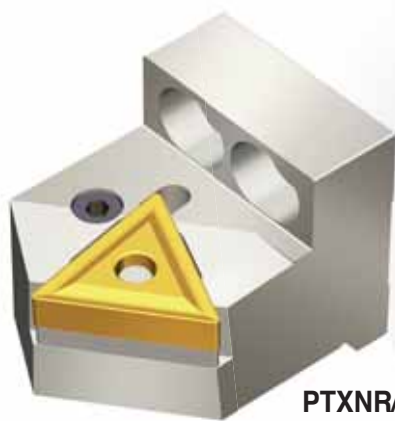
LNMX HY



LNMX HD

Special Products

## Special heavy turning tool Internal pipe chamfering for Pipe



PTXNR/L

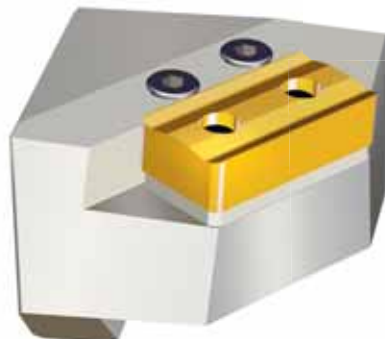


TNMG

# TURNING

## Special heavy turning tool

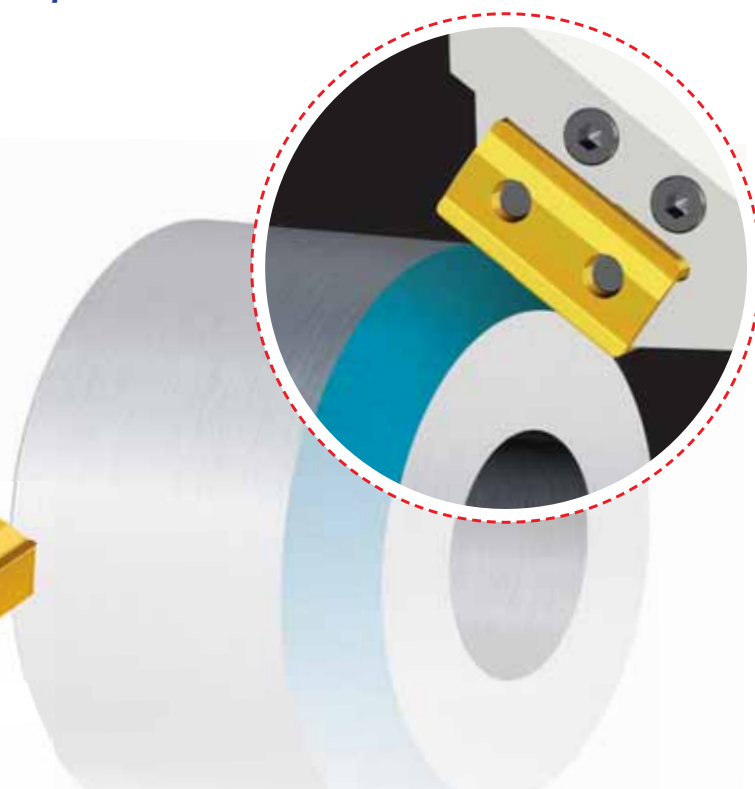
External pipe chamfering for Pipe



PLTNR

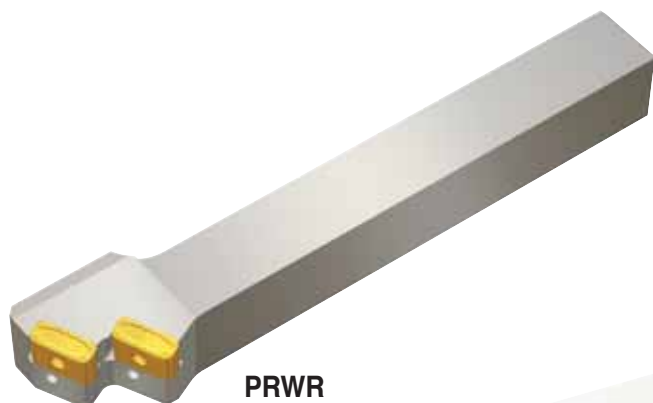


LNUX



## Special heavy turning holder - Twin head type

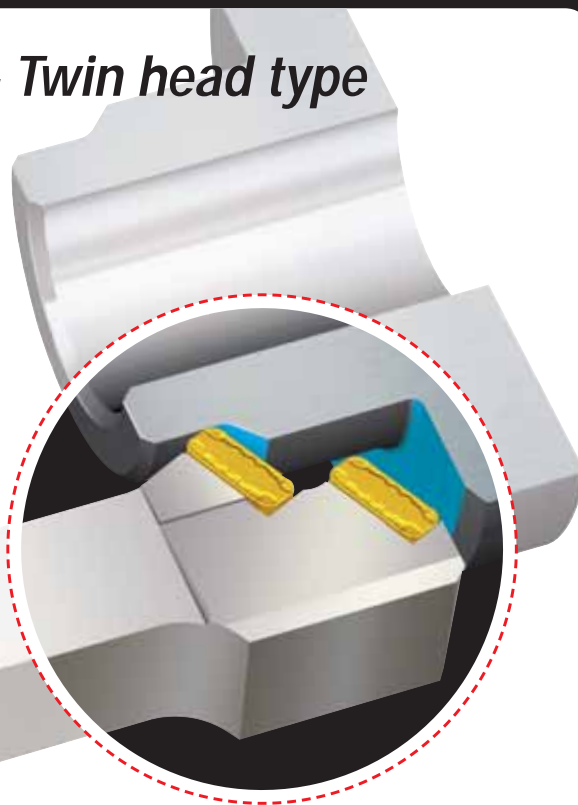
Tangential type insert for Journal

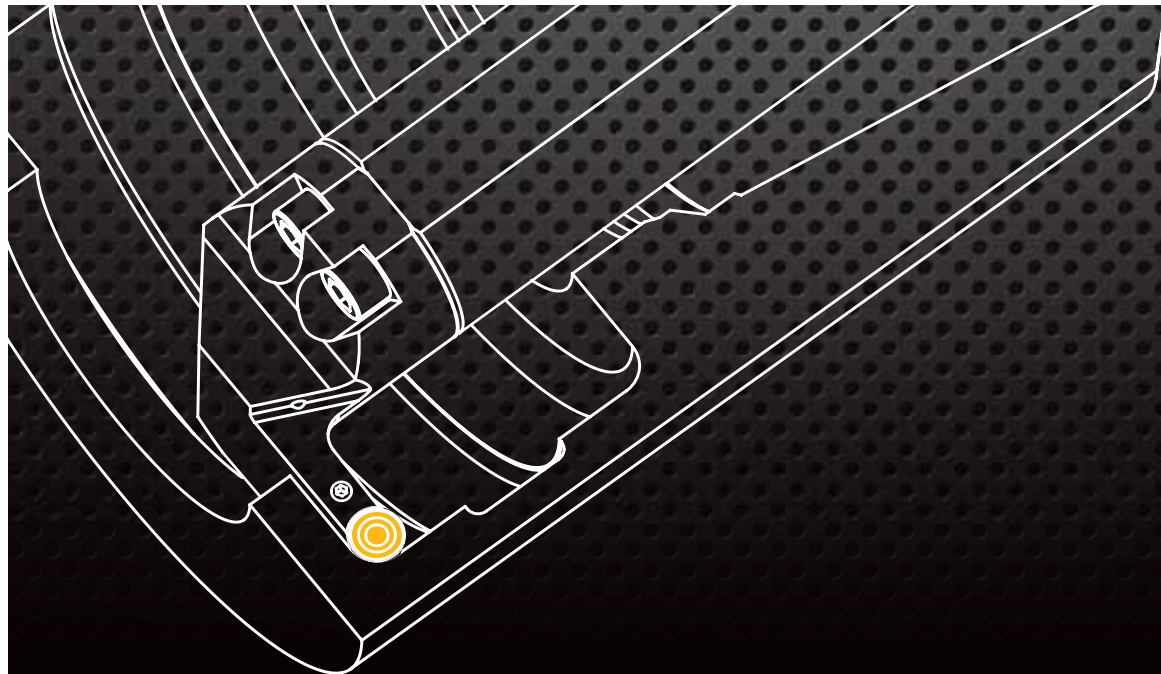


PRWR



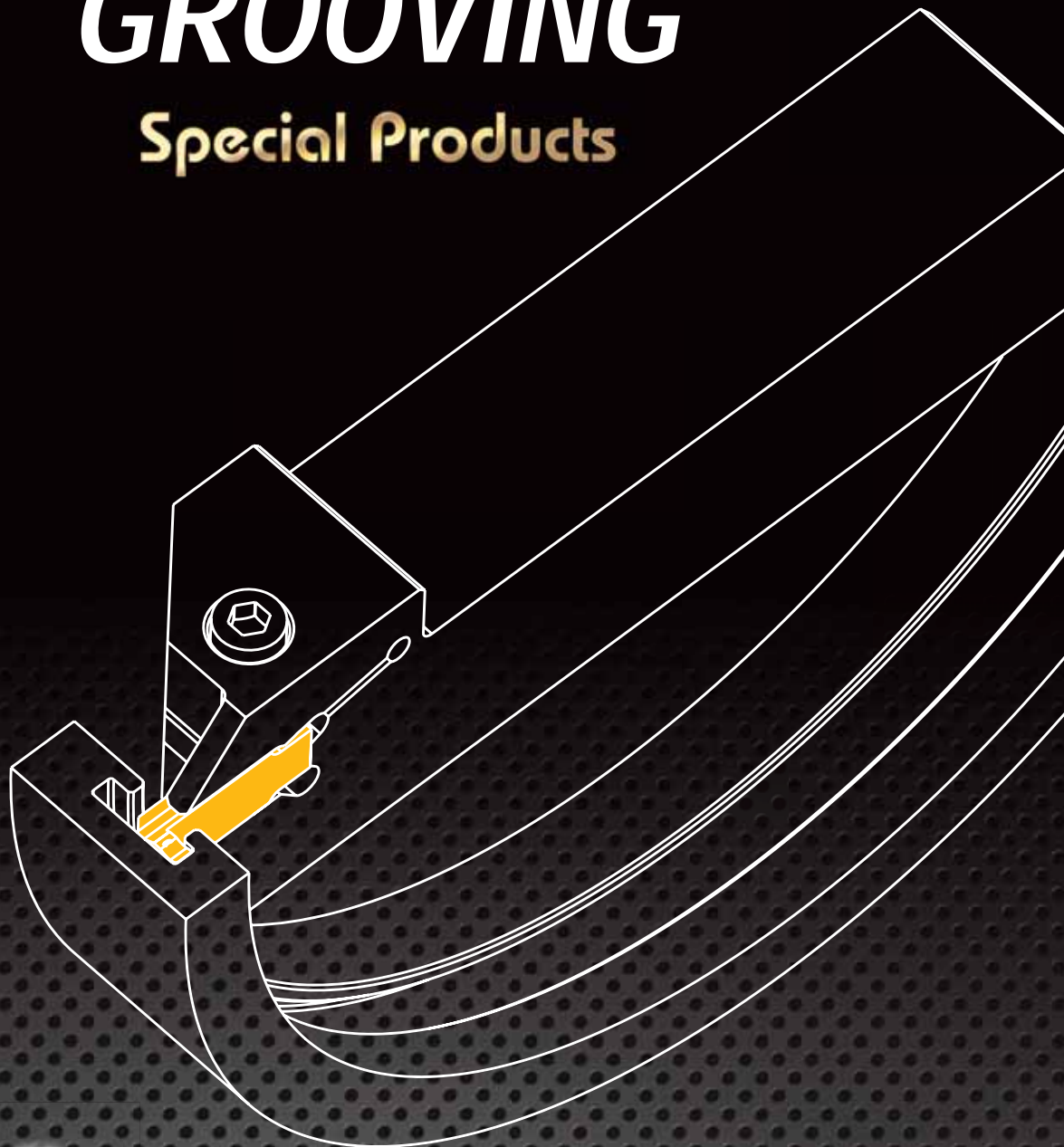
LNMX





# ***GROOVING***

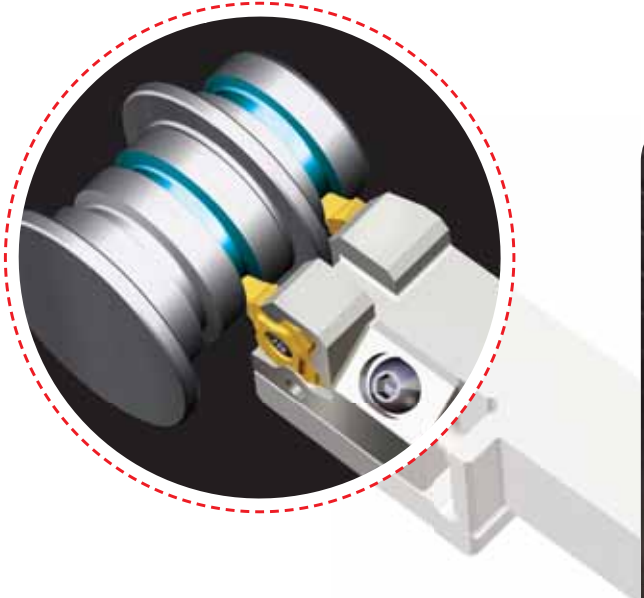
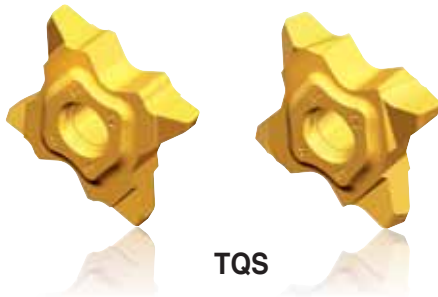
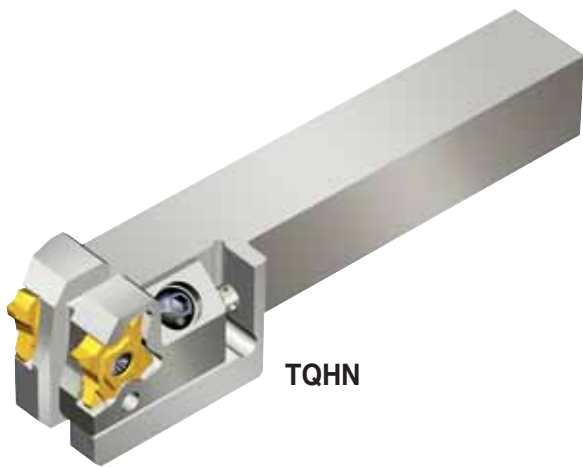
## **Special Products**



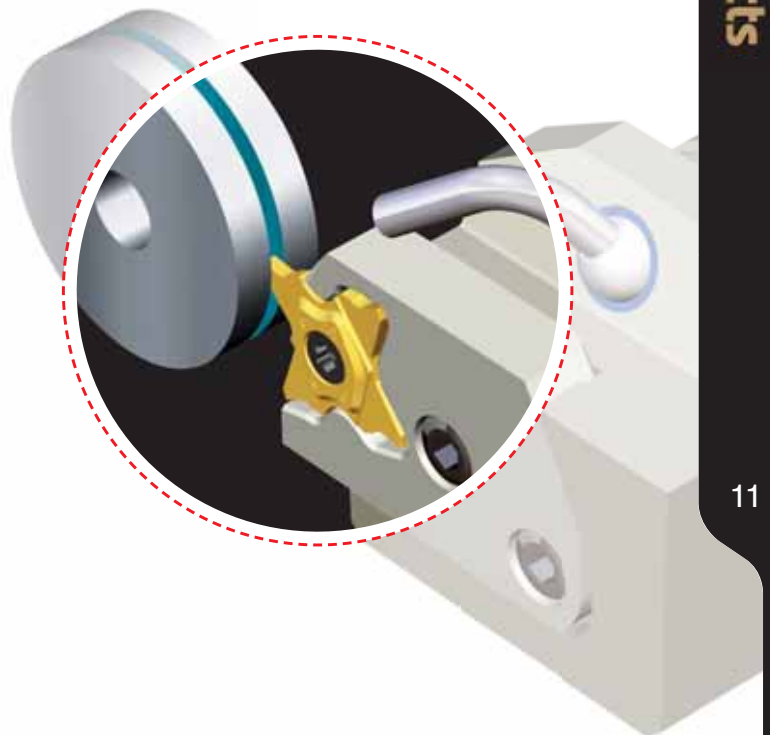


# GROOVING

## External grooving holder - Adjustable twin head type *Special QUADRUSH insert for Automotive shaft*

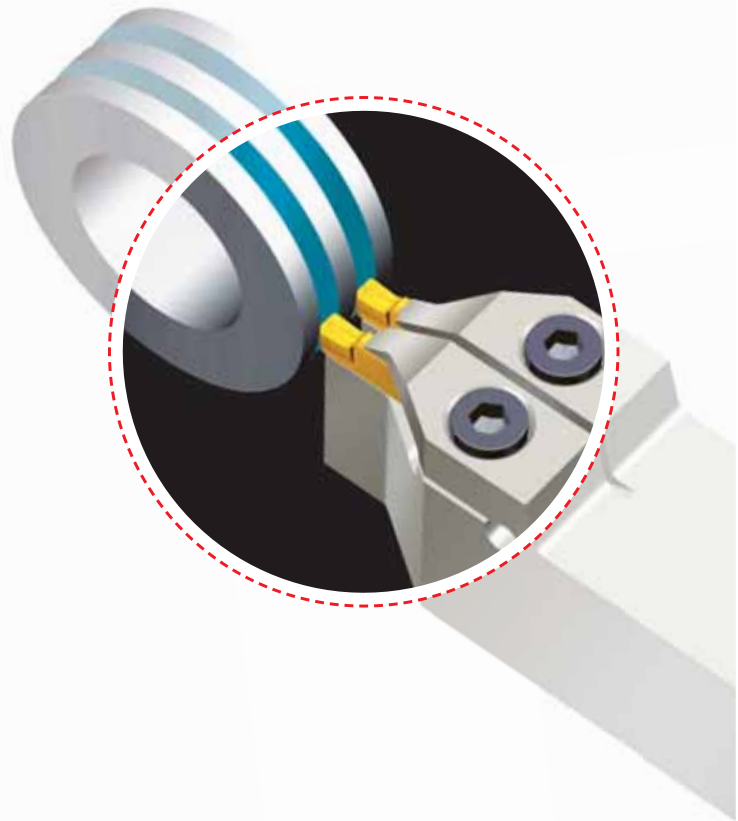
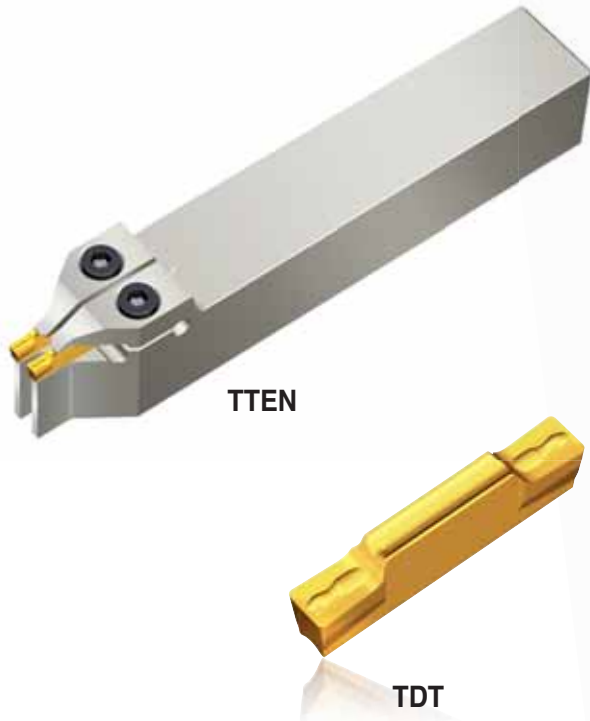


## External grooving tool - Cartridge type *C-Adapter with QUADRUSH insert*



# GROOVING

## External grooving holder *Twin head type for Automotive piston*



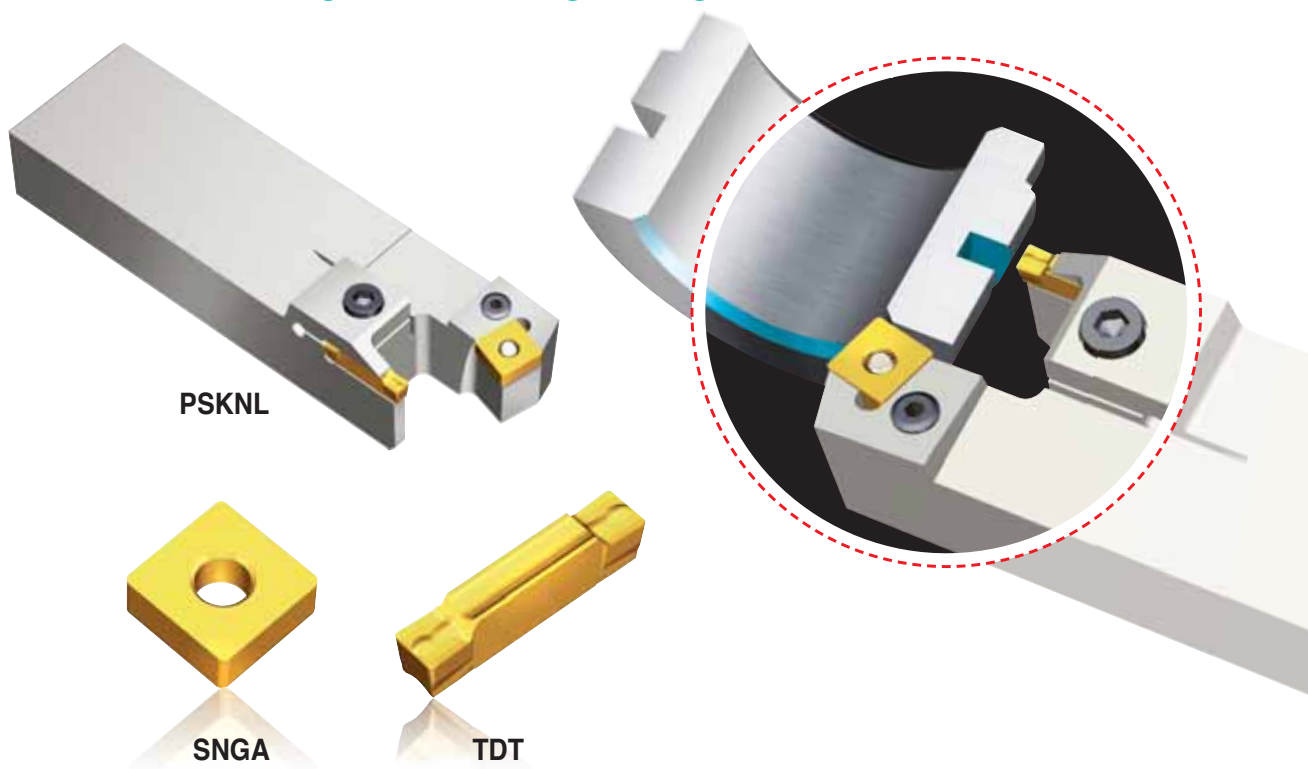
## Face grooving holder *T-BURST high-pressure coolant type for Automotive piston*



# GROOVING

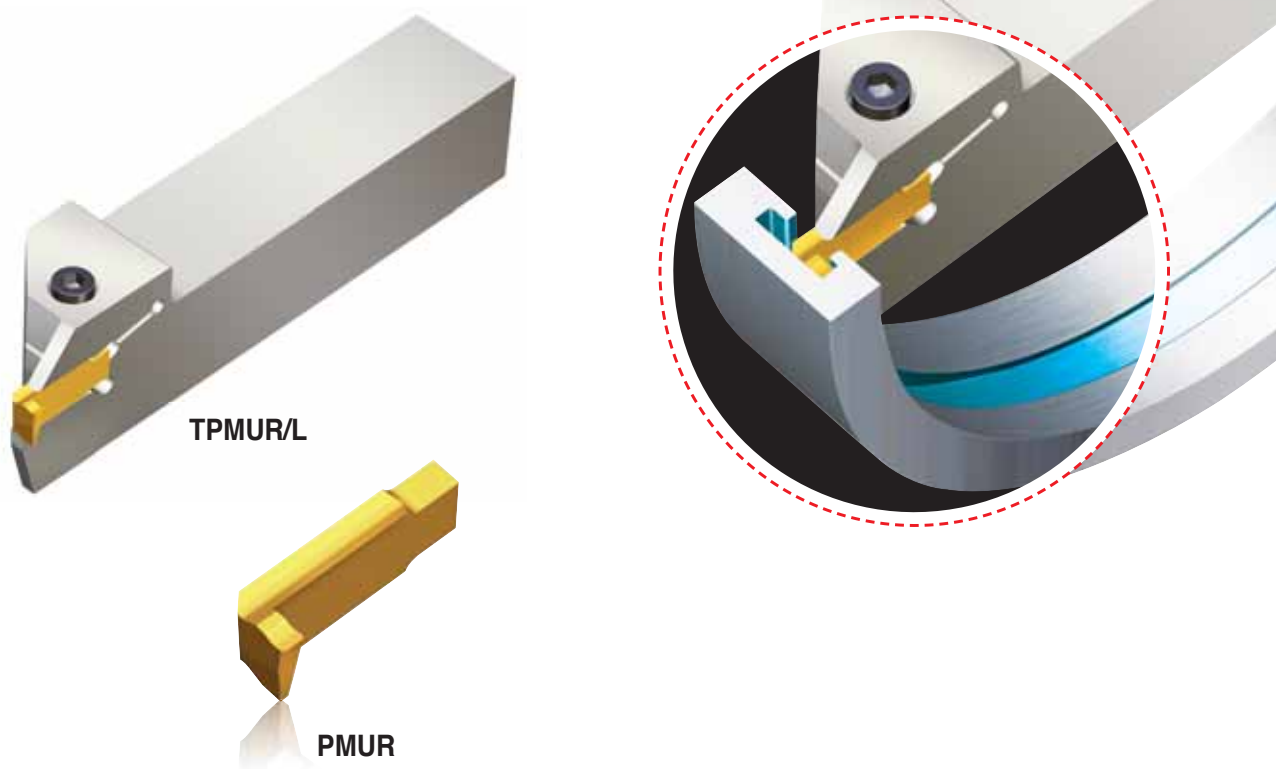
## Multi function turning & grooving holder

Internal chamfering and external grooving for Automotive sleeve



## Perpendicular grooving holder

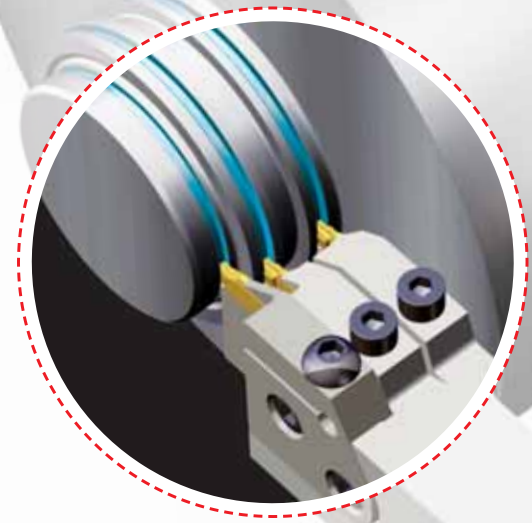
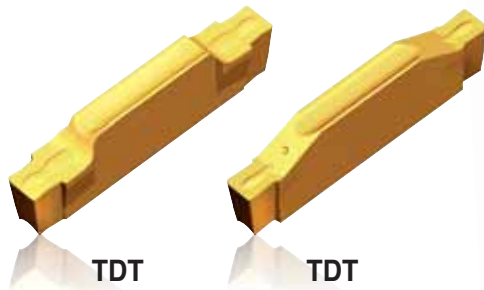
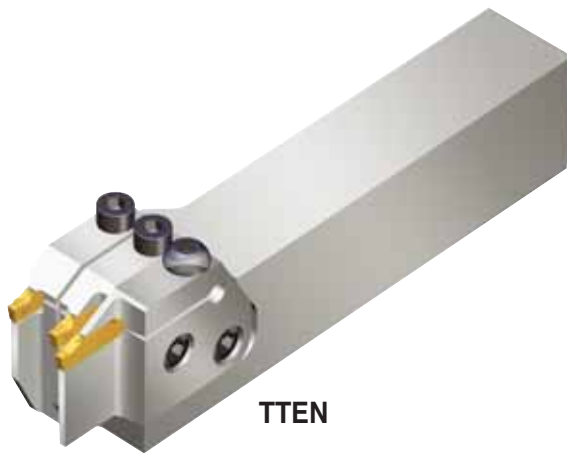
Internal 'T' grooving for Turbine rotor



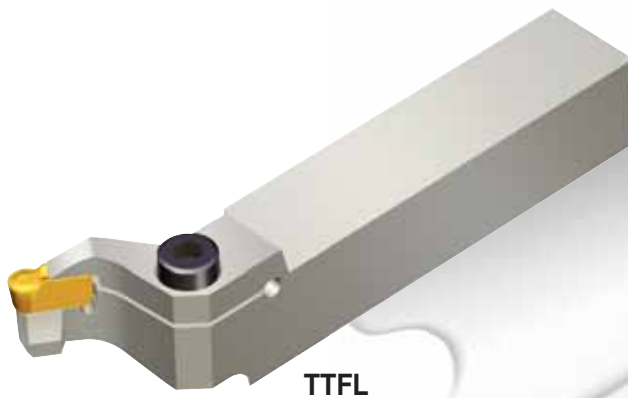


# GROOVING

## External grooving holder - Multi head type Fixed pocket + Cartridge for machining of Housing clutch



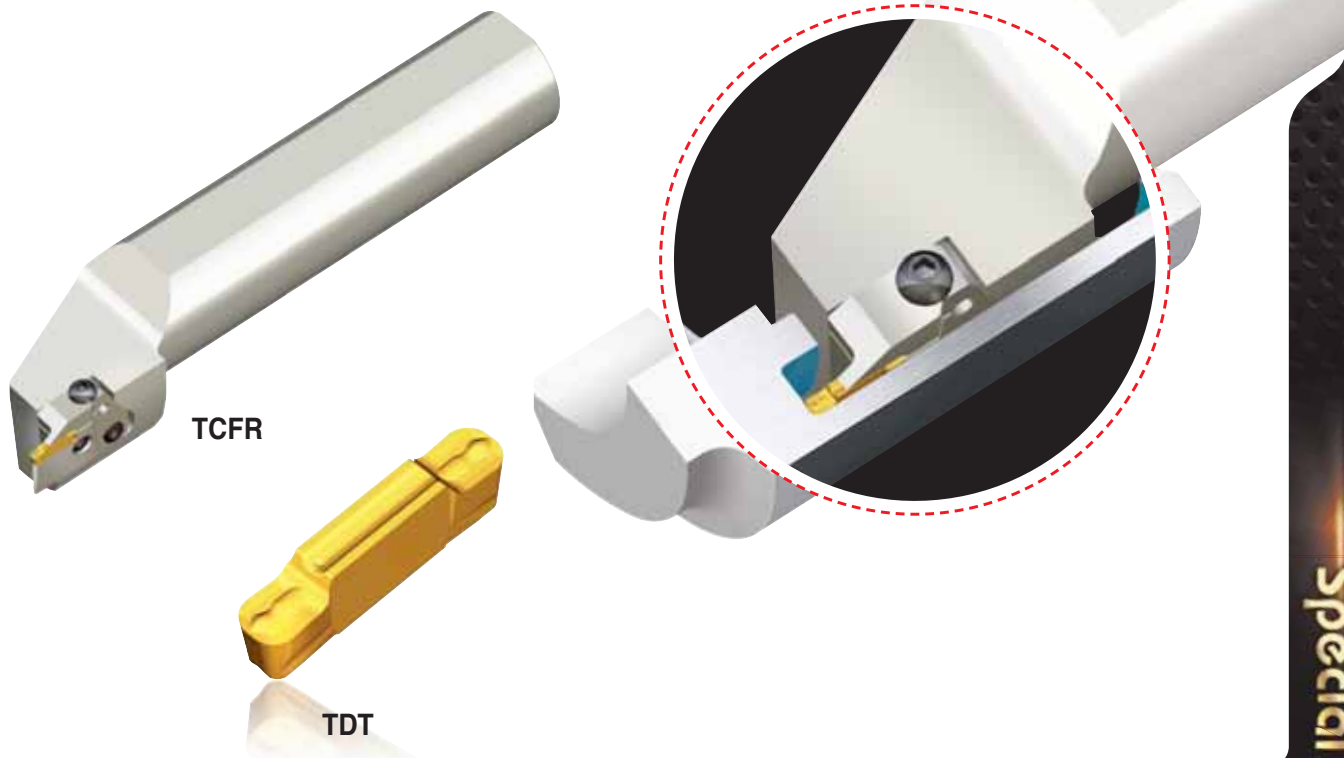
## Face grooving holder Face profiling for Automotive piston



# GROOVING

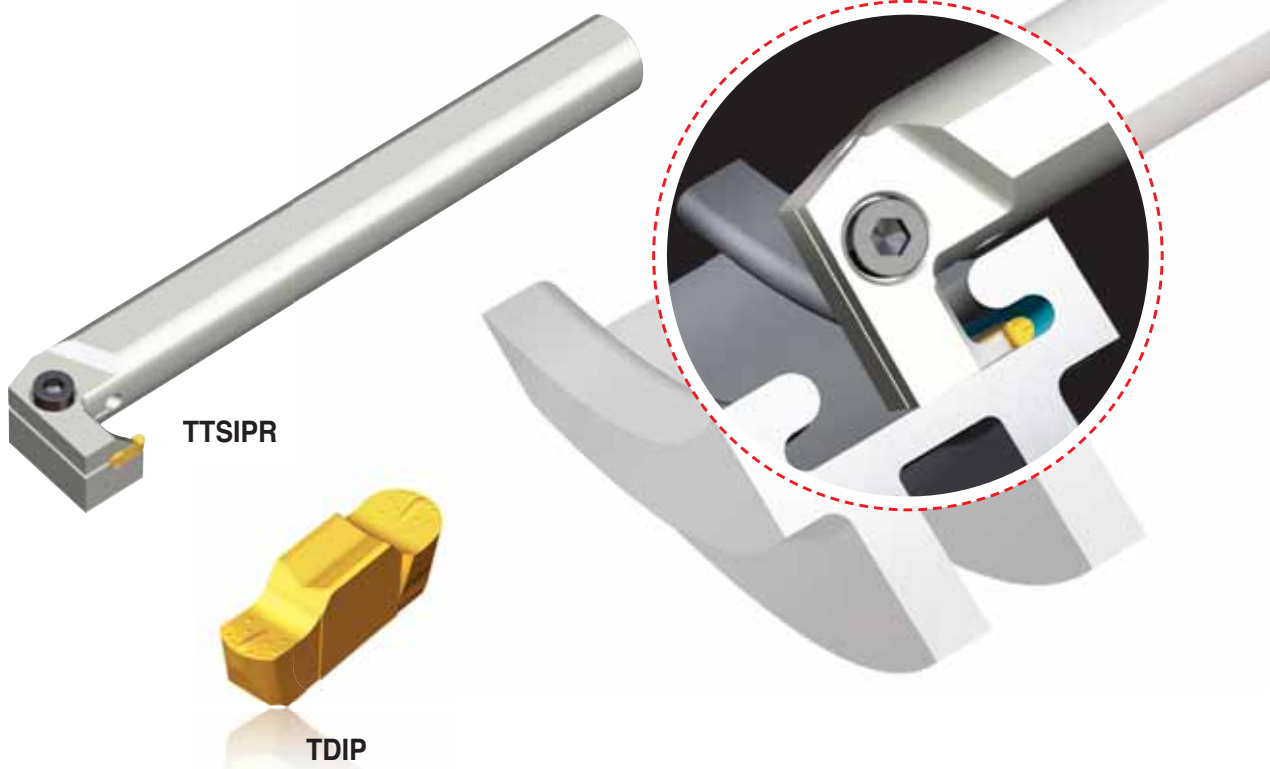
## Internal face grooving bar

Cartridge type for machining of Bearing housing



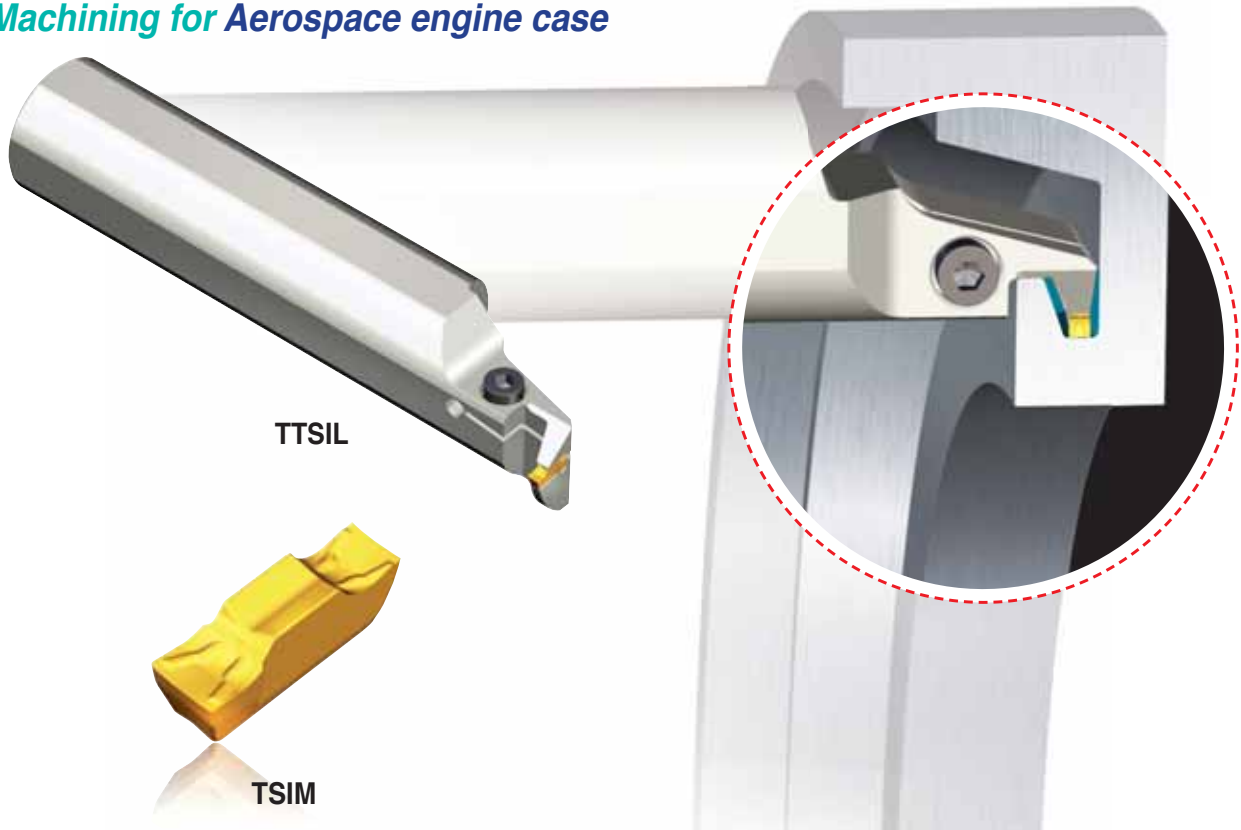
## Internal "T" grooving bar

Narrow form grooving for Aerospace engine case

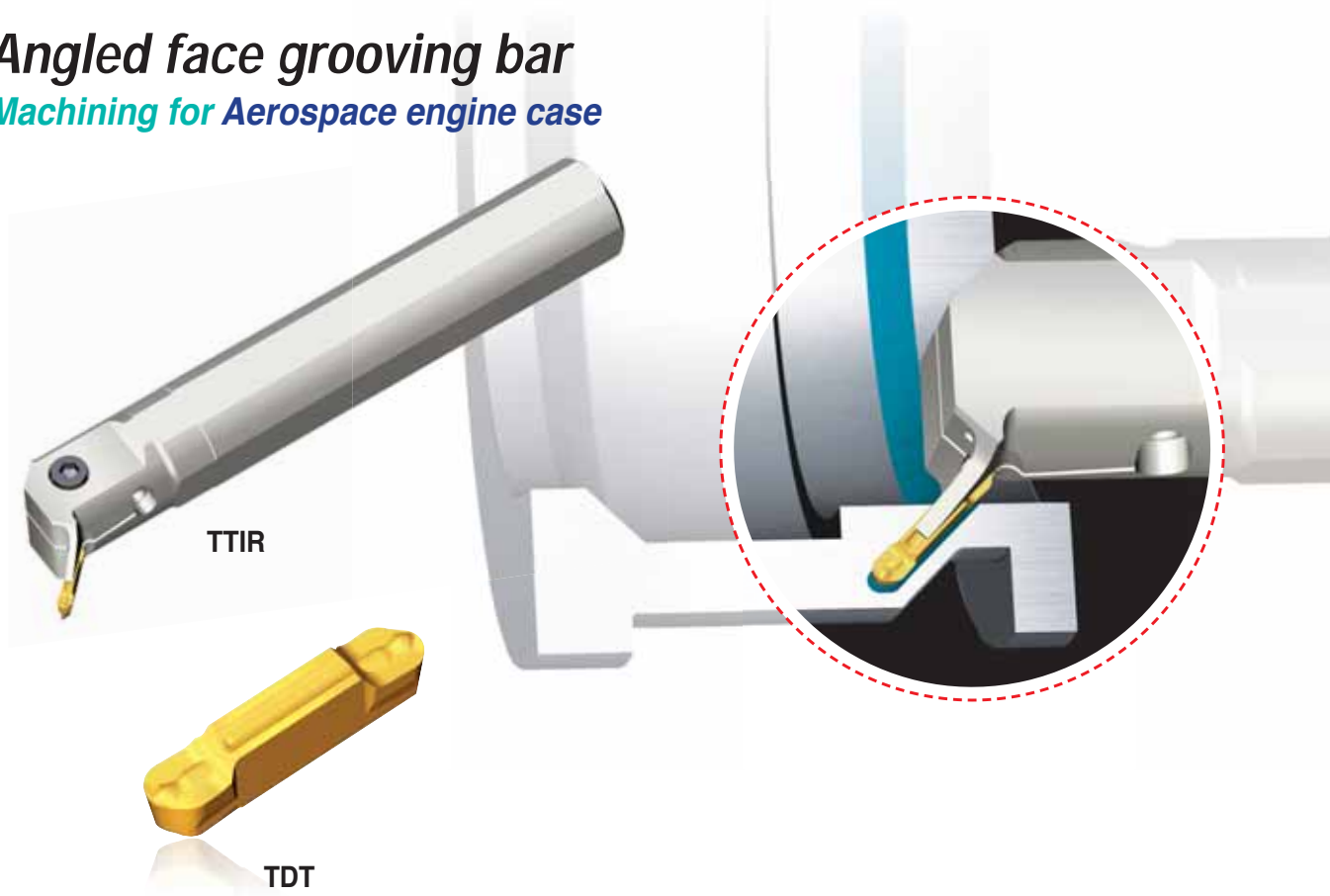


# GROOVING

## Internal form grooving bar Machining for Aerospace engine case



## Angled face grooving bar Machining for Aerospace engine case

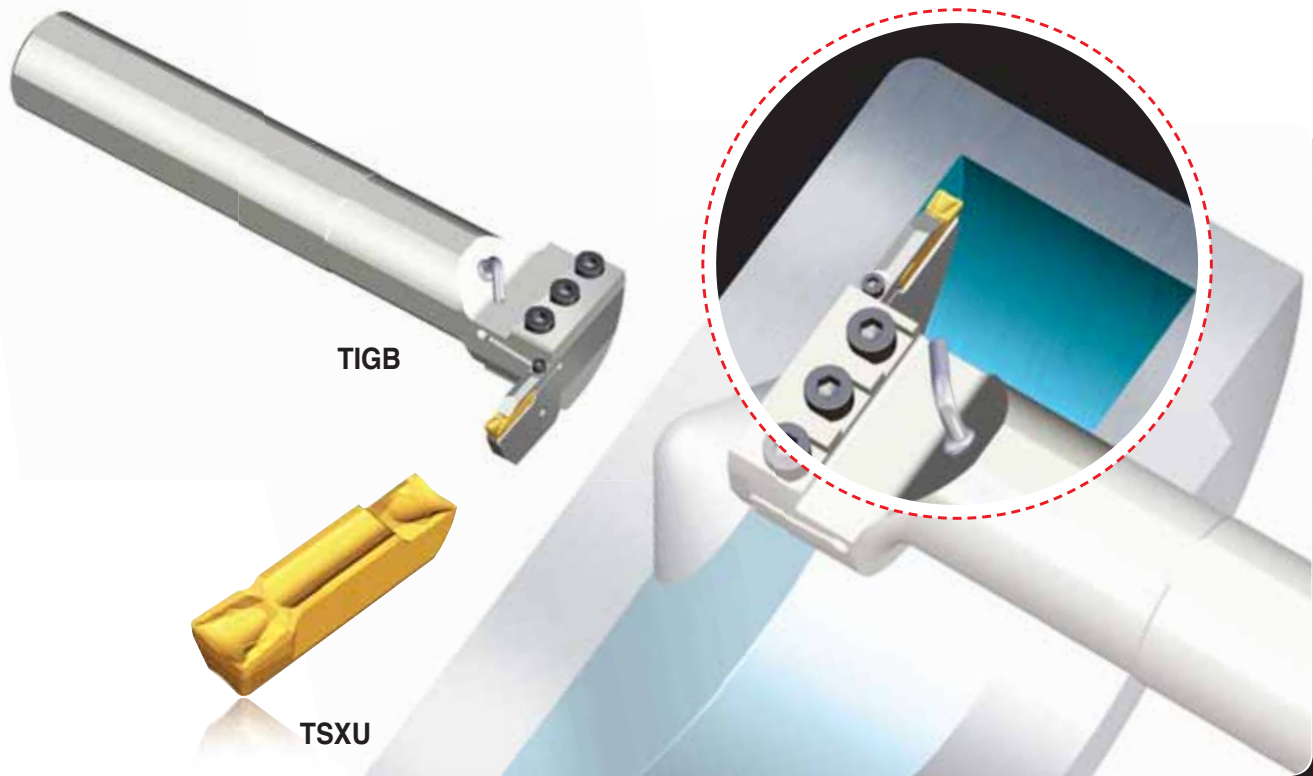




# GROOVING

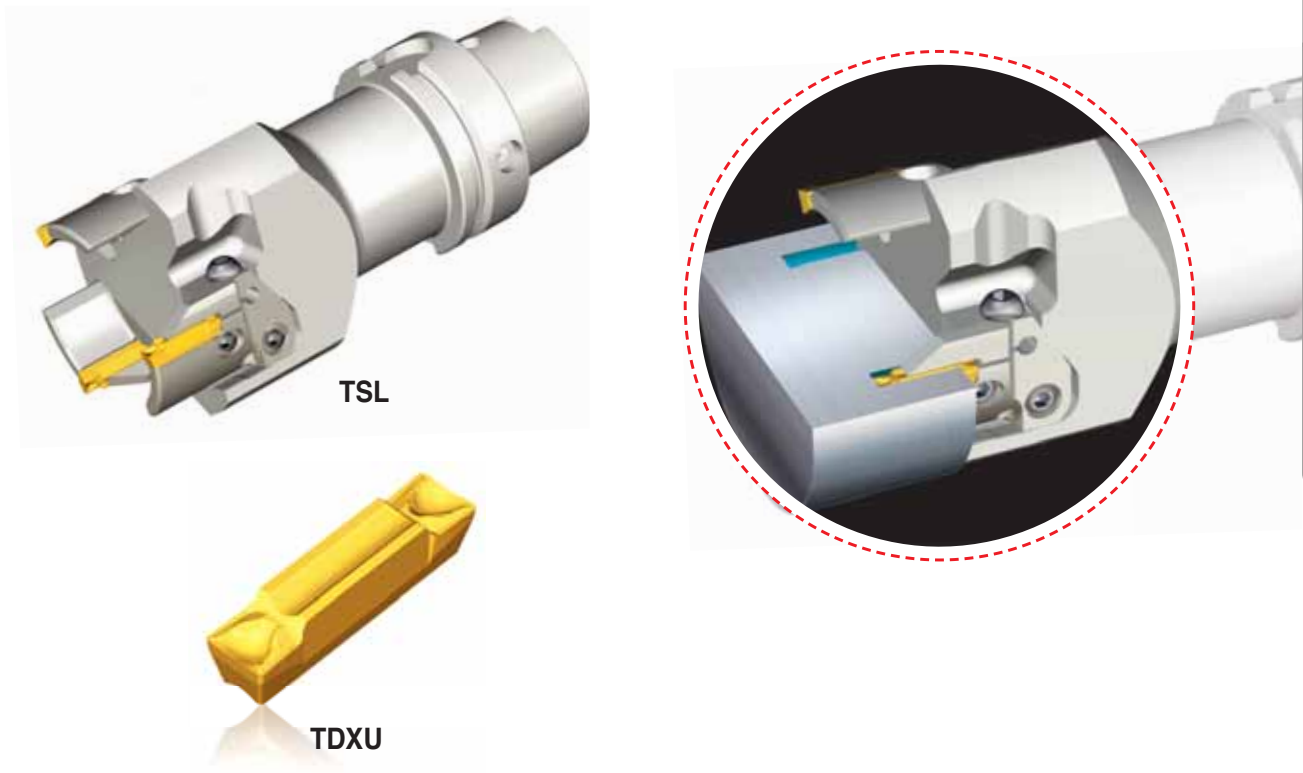
## Internal grooving bar - Cartridge type

Large diameter internal grooving for Pump case



## Face grooving rotating tool

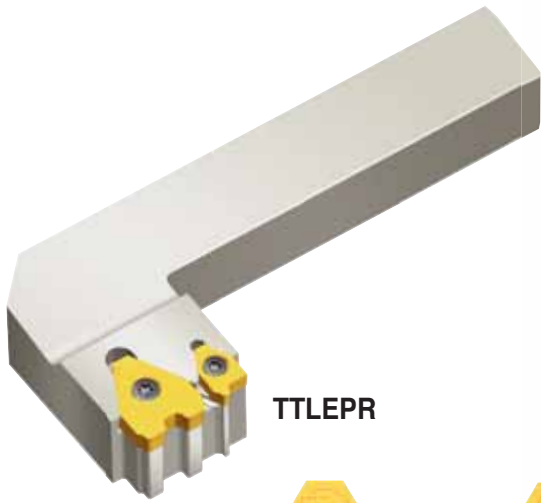
3 effective cartridge type for Machine structure part



# GROOVING

## External form grooving holder

High productivity finishing for Automotive hub



TTLEPR



TGUX



TGUX



## Special "T" form grooving holder

Finishing of Aerospace engine components



TGTER



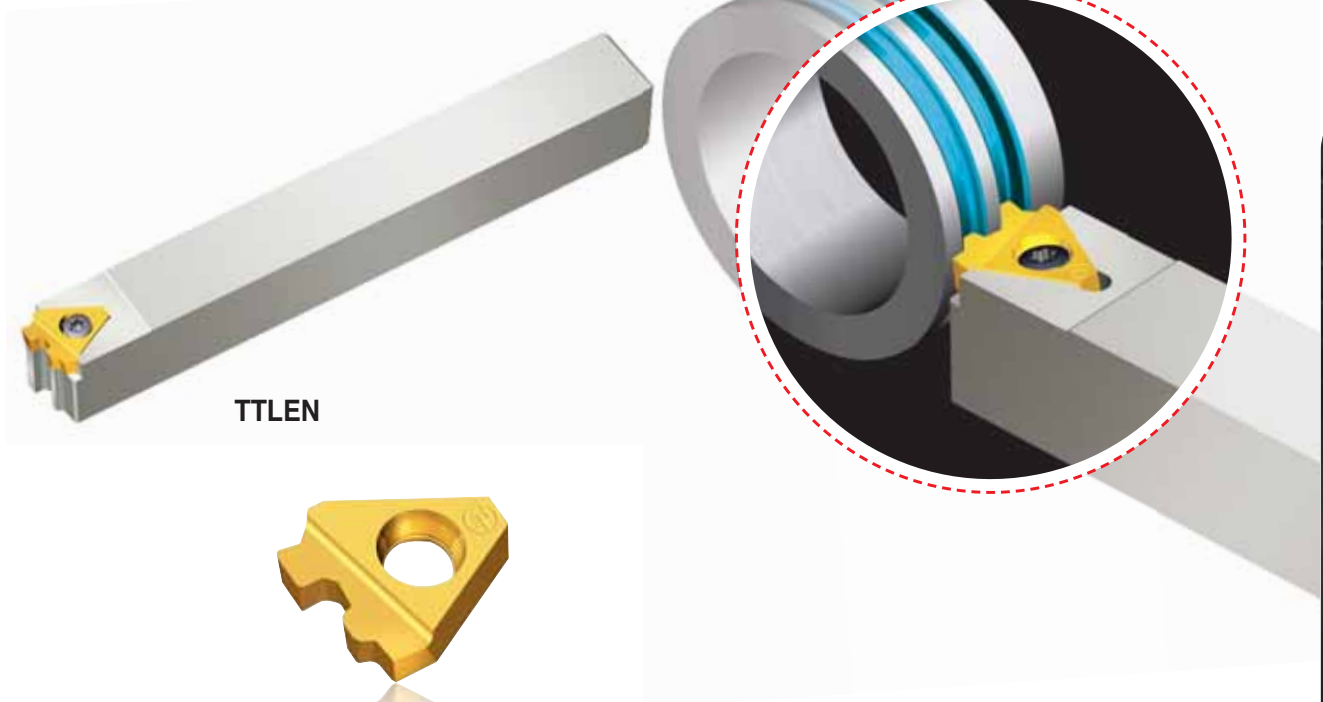
TTG



# GROOVING

## External form grooving holder

Finishing for Automotive sleeve

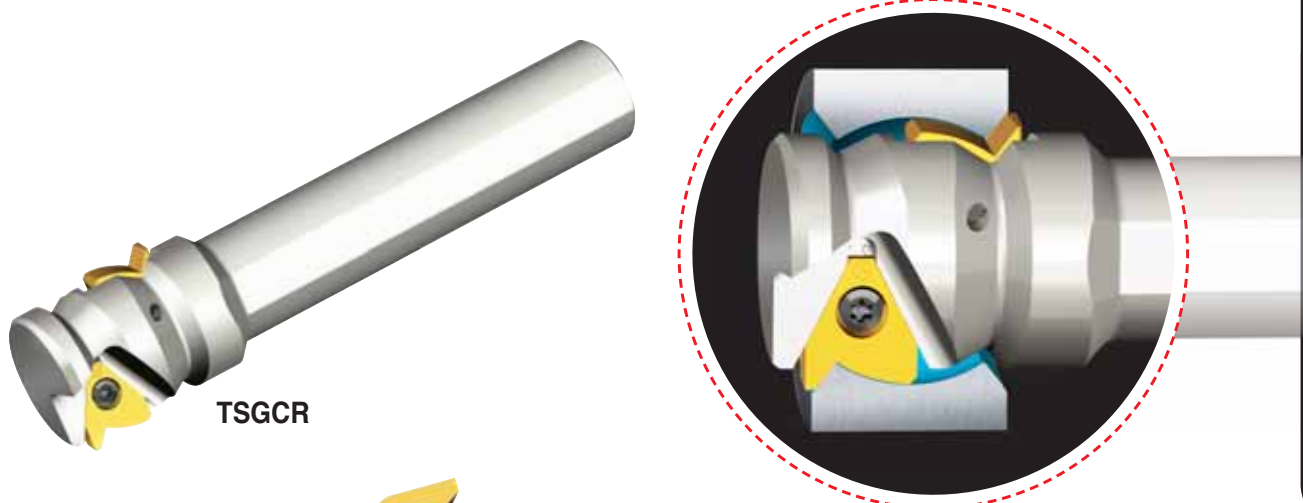


TTLEN

TGUX

## Internal form grooving bar

Finishing for Ball joint case



TSGCR

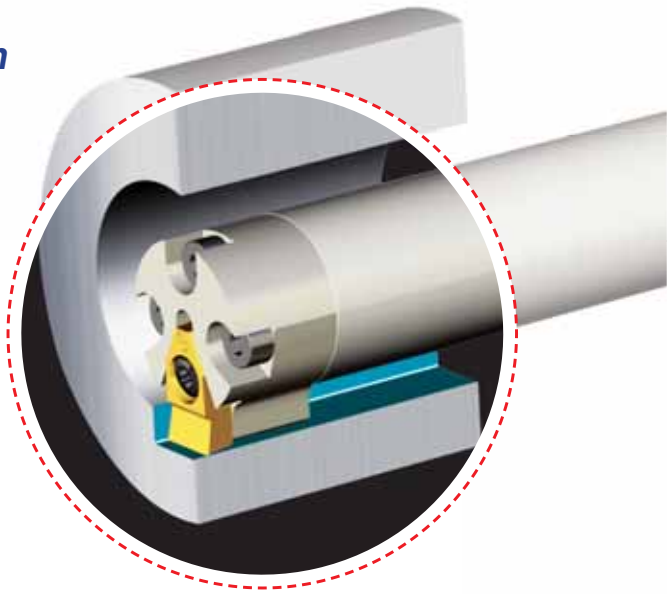
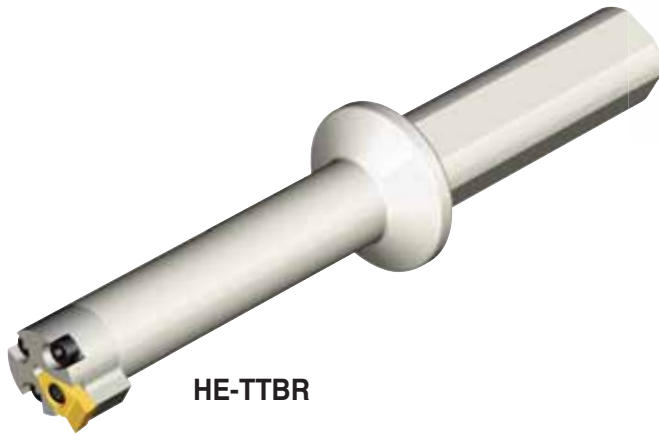
TGUX



# GROOVING

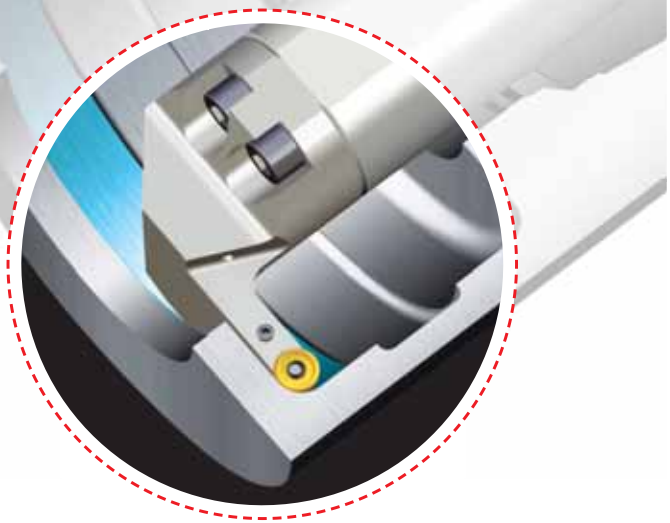
## Broach machining bar

Modular head type tool for Keyway broach



## Internal turning bar

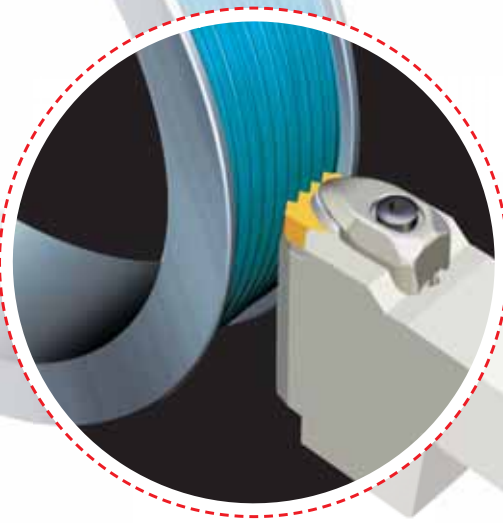
Modular head type for machining of Bearing case



# GROOVING

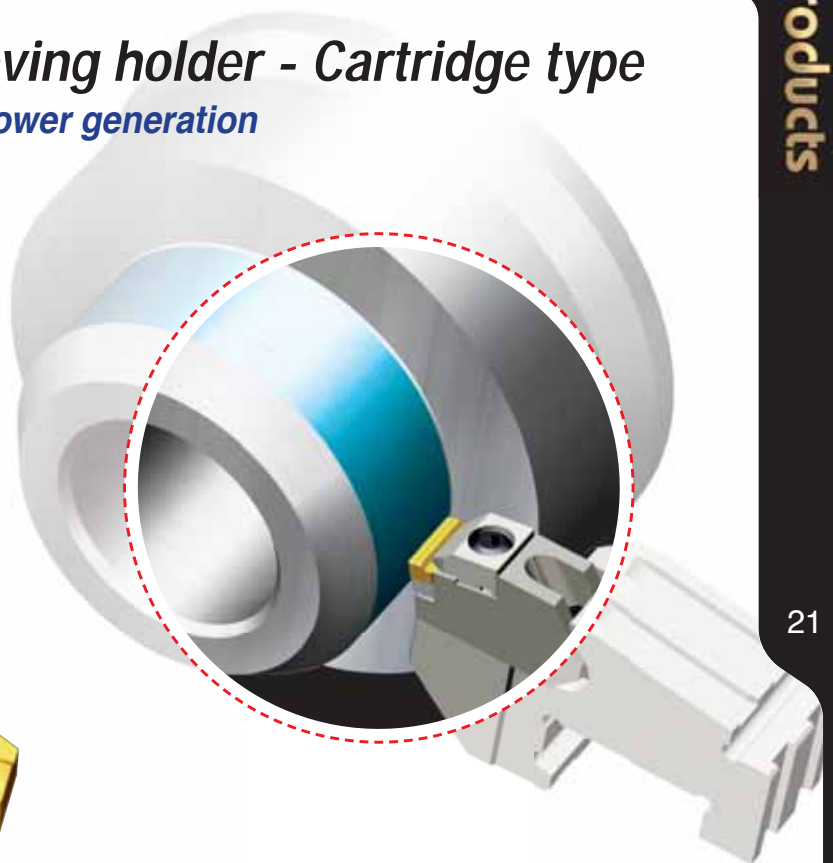
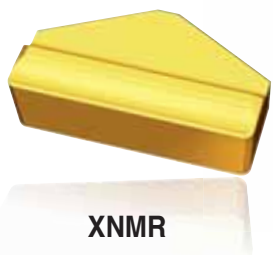
## Pulley machining holder

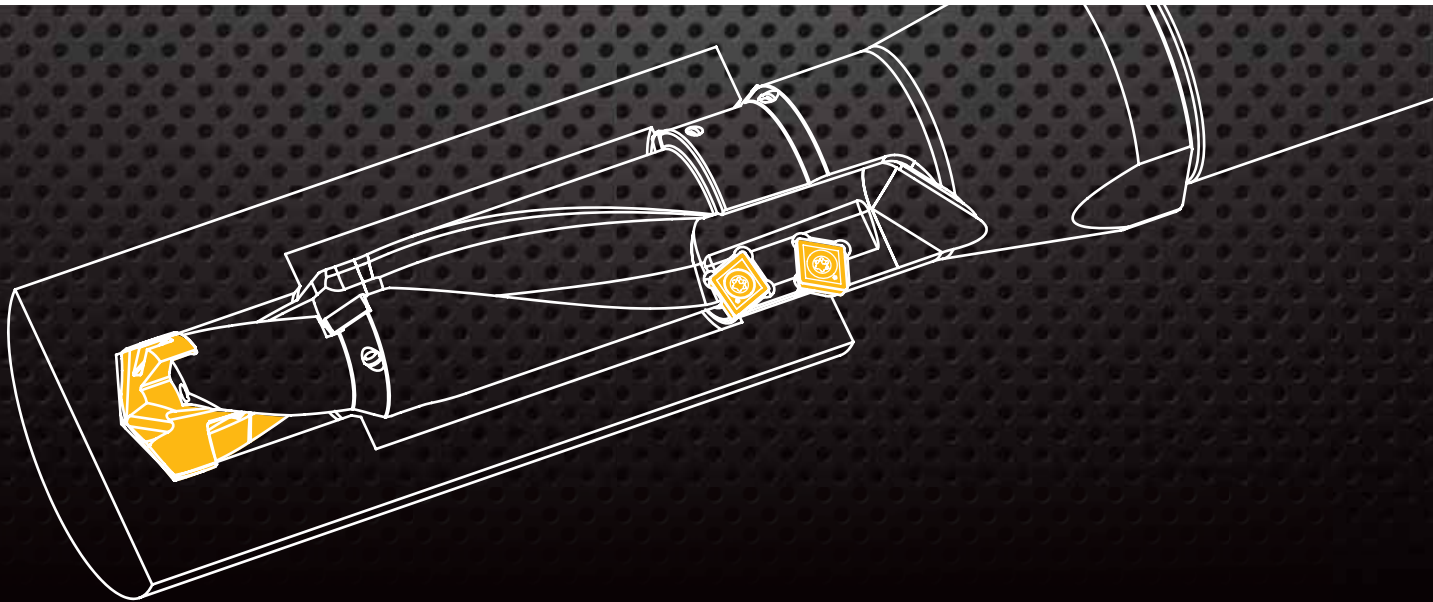
Finishing for Automotive pulley



## Wide width heavy grooving holder - Cartridge type

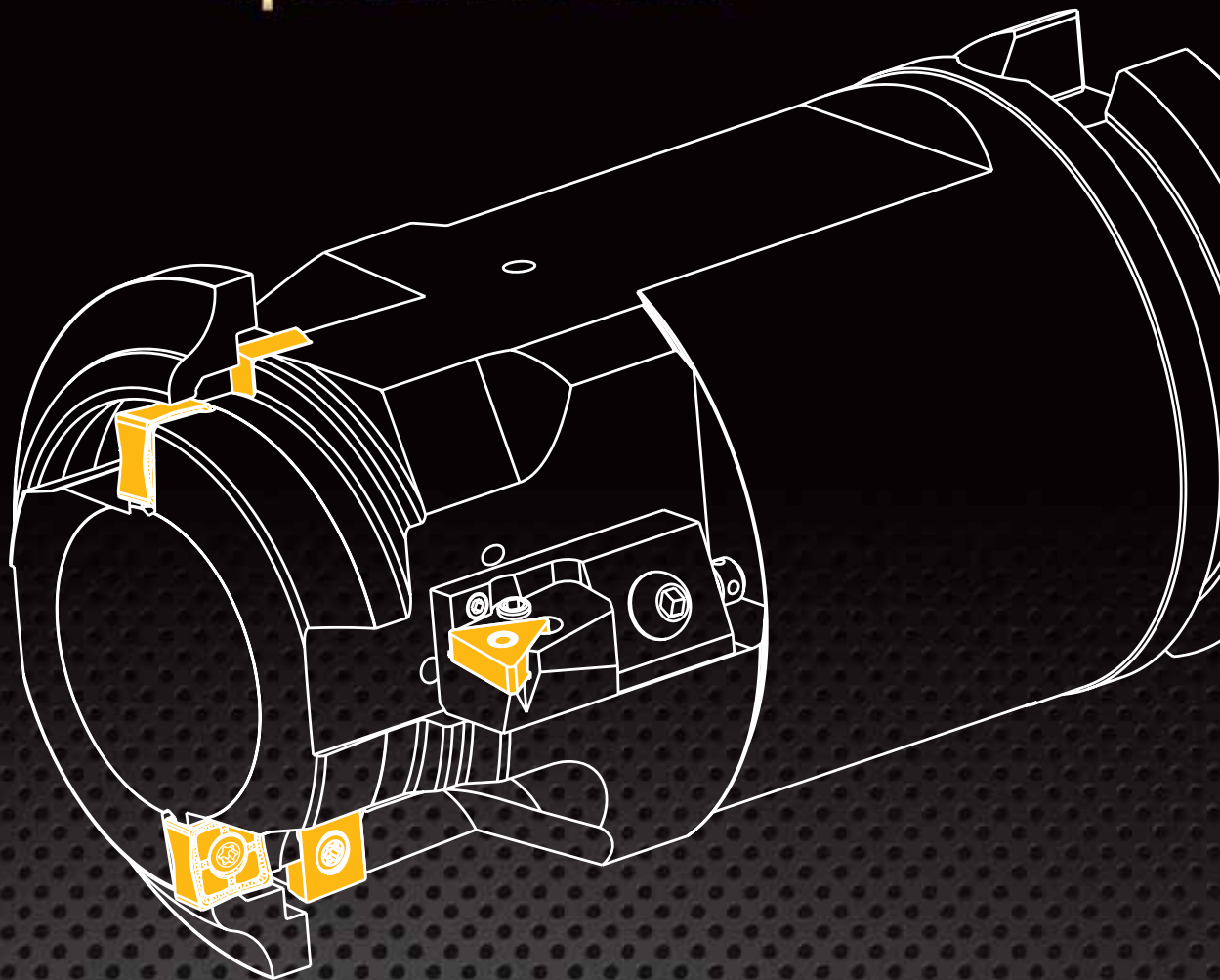
External grooving for Rotor of power generation





# ***HOLEMAKING***

## **Special Products**

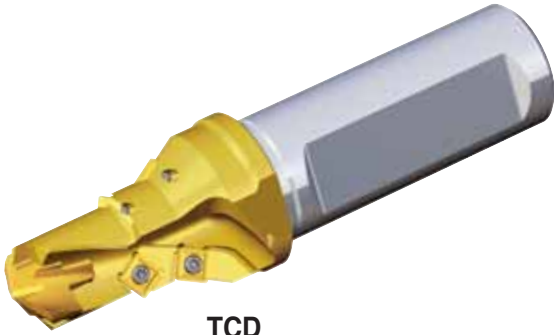




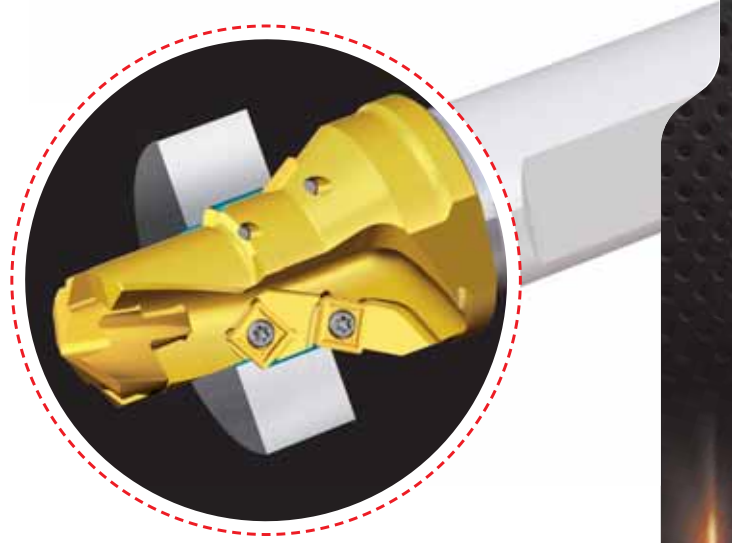
# HOLEMAKING

## Multi function DRILLRUSH holder

Drilling + Boring + Chamfering for Bearing



TCD



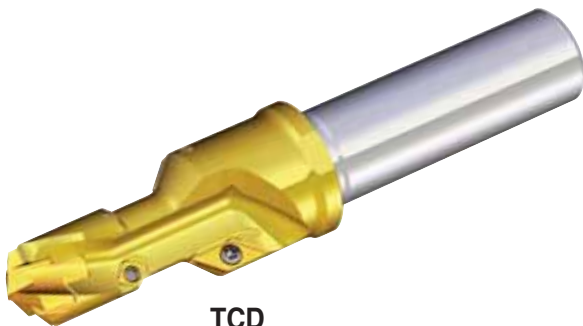
TCD



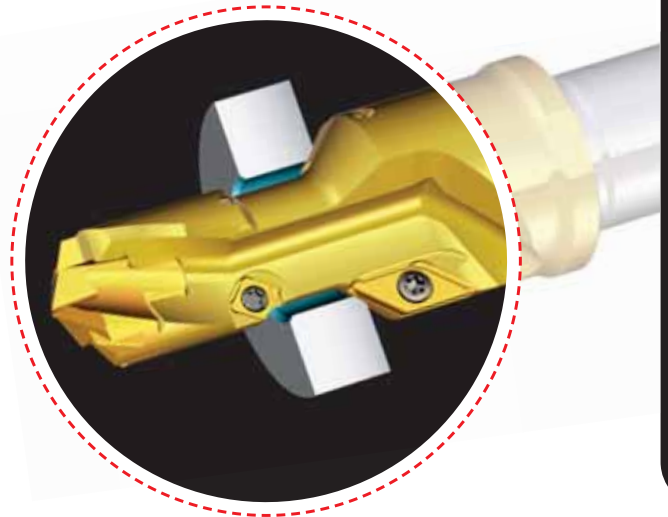
SPMG

## Multi function DRILLRUSH holder

Drilling + Front & back chamfering for Hub



TCD



TCD



AOMT



CCGT

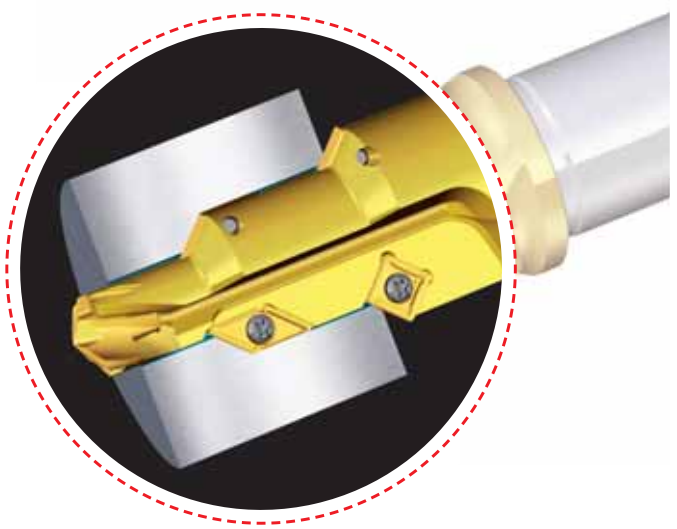
# HOLEMAKING

## Multi function DRILLRUSH holder

Drilling + Boring + Chamfering for Inner shaft



TCD



TCD



SPMG

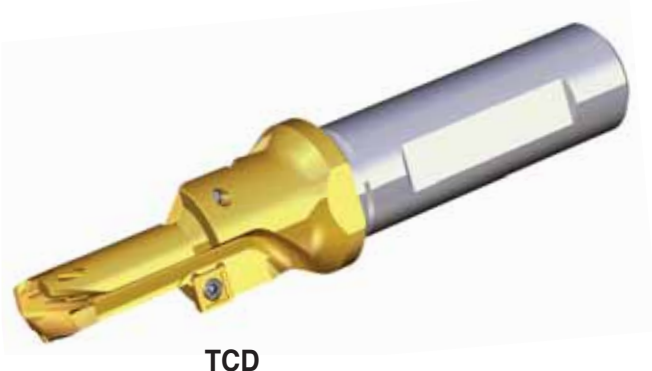


AOMT

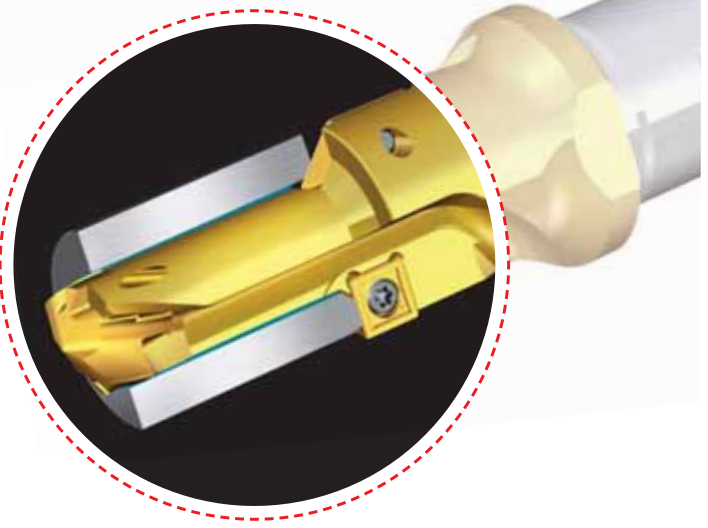
Special Products

## Multi function DRILLRUSH holder

Drilling + Chamfering + Facing for Knuckle



TCD



TCD



SPMG

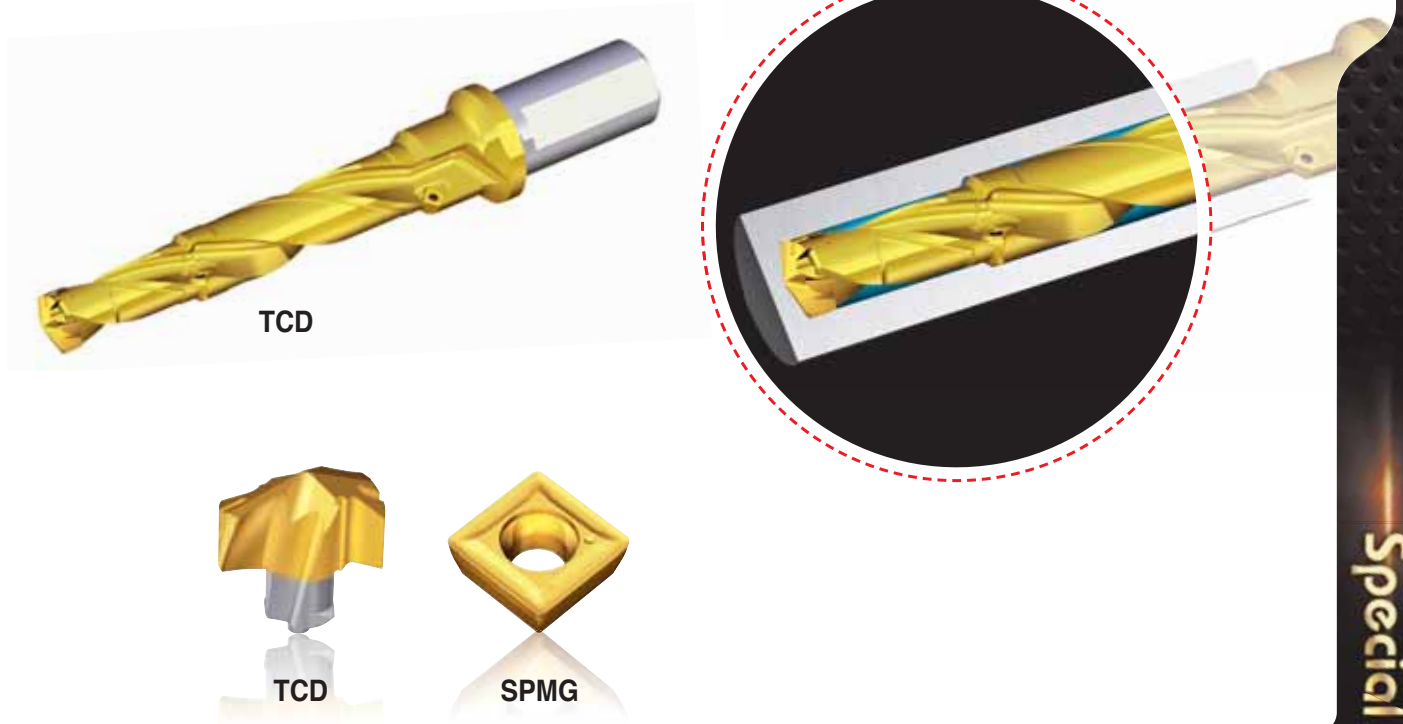


AOMT

# HOLEMAKING

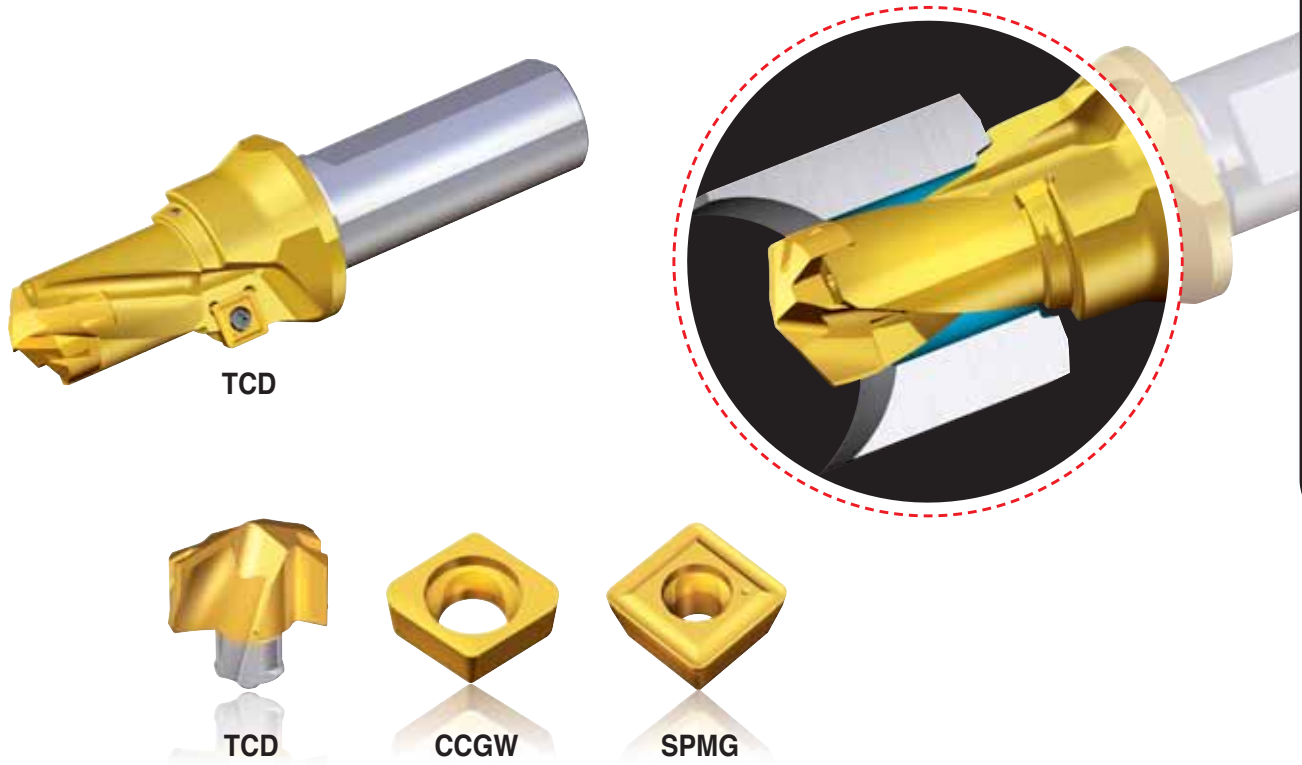
## Multi function DRILLRUSH holder

Drilling + Boring + Chamfering for Main shaft, hub, frame, etc.



## Multi function DRILLRUSH holder

Drilling + Countersinking for Knuckle

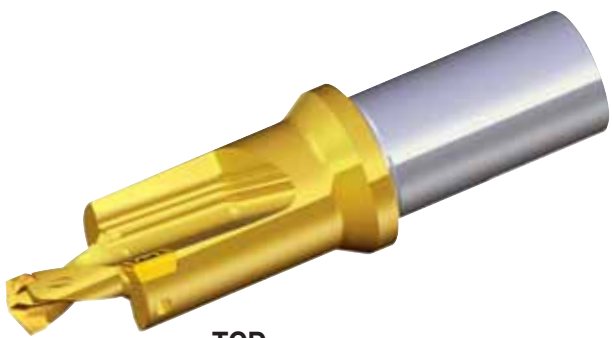




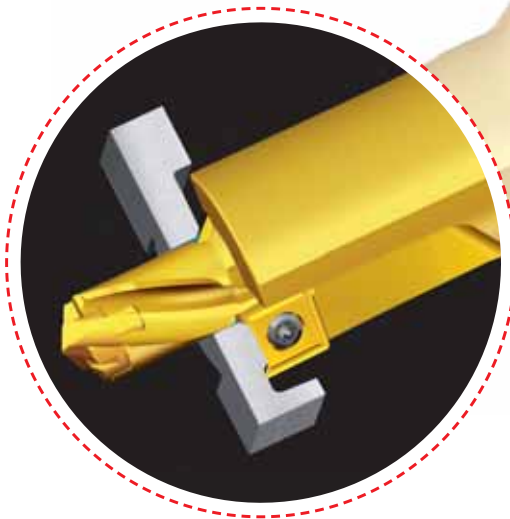
# HOLEMAKING

## Multi function DRILLRUSH holder

Drilling + Spot facing for Carrier



TCD



TCD



SPMG

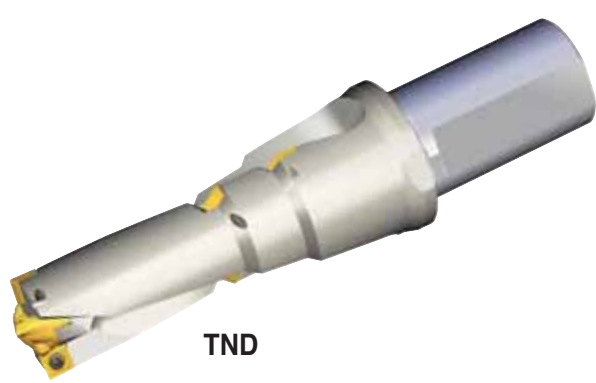


AOMT

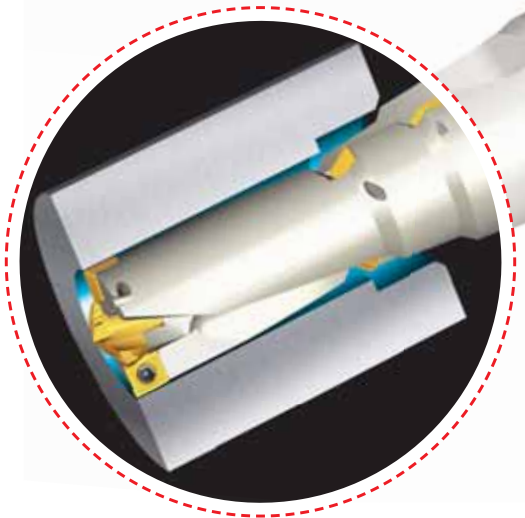
Special Products

## Multi function TWINRUSH holder

Drilling + Boring + Chamfering for Windmill hub



TND



TCD



SPMG

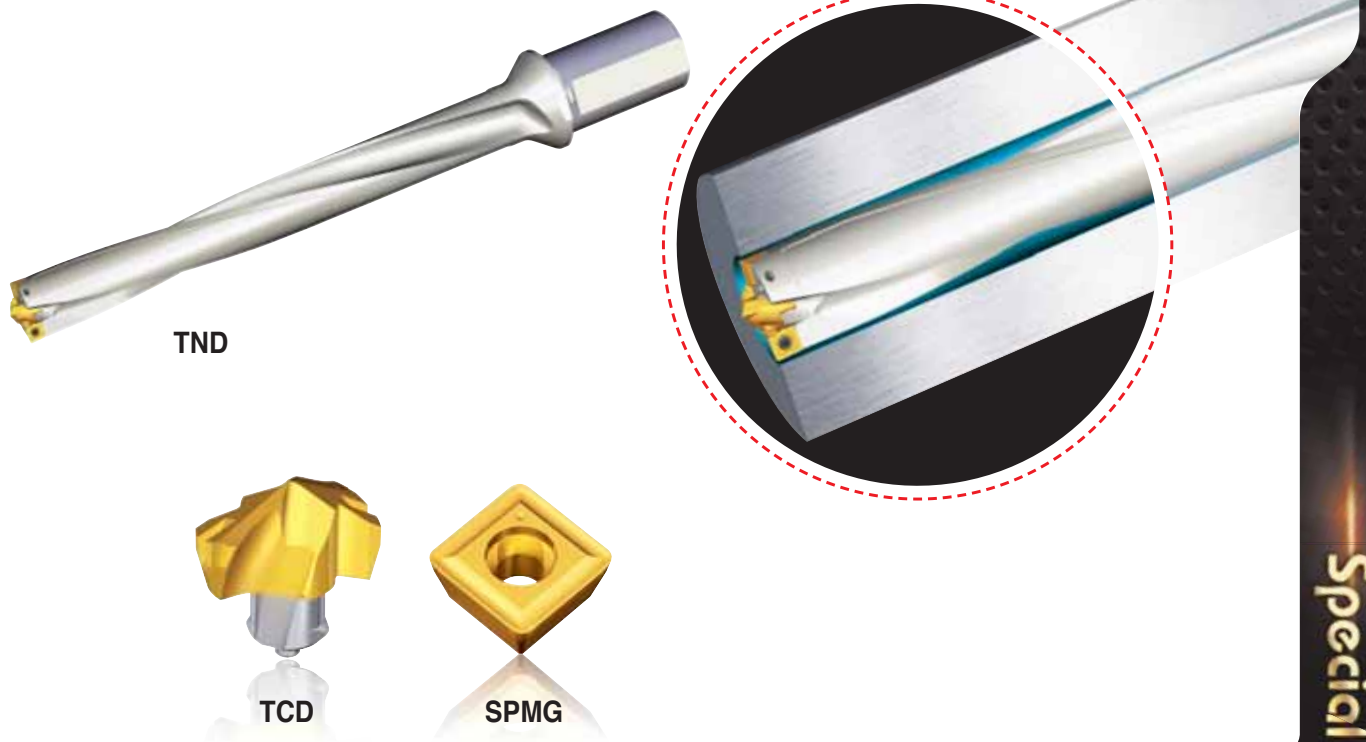


AOMT

# HOLEMAKING

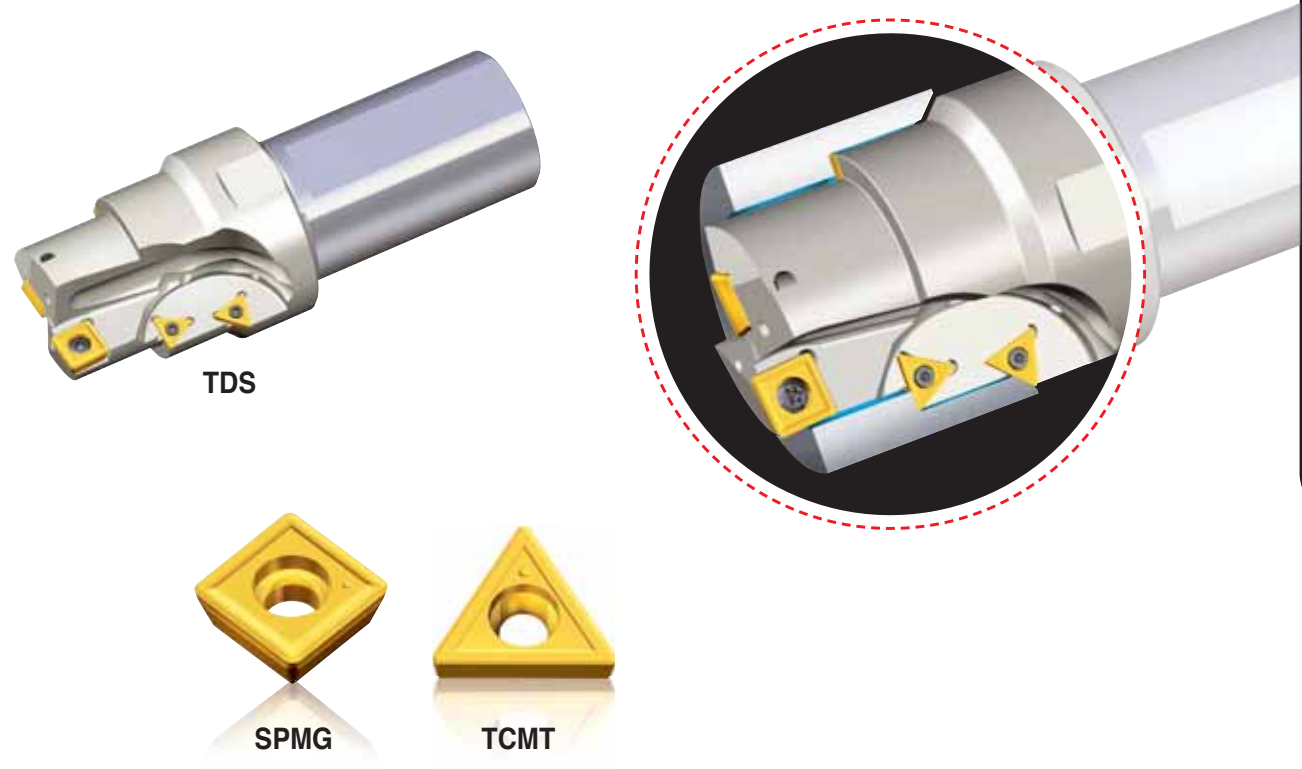
## TWINRUSH holder

Large diameter & deep hole drilling for Shaft



## Multi function T-DRILL holder

Drilling + Boring + Chamfering for Transmission case

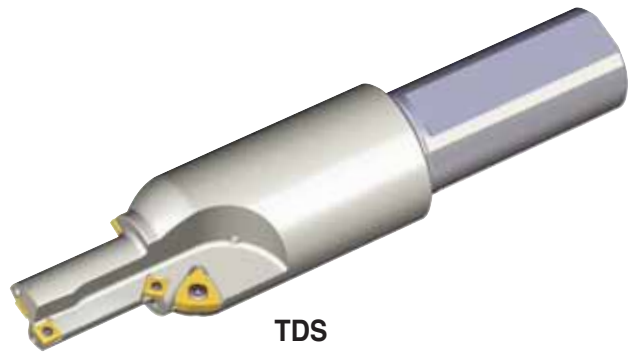


Special Products

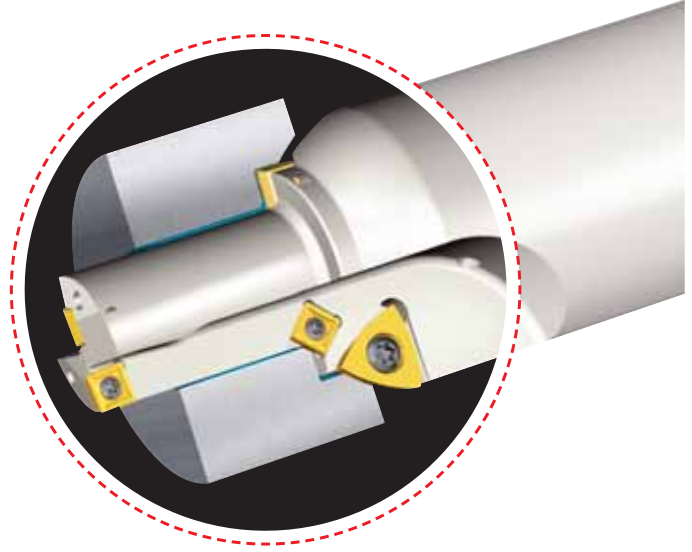
# HOLEMAKING

## Multi function T-DRILL holder

Drilling + Countersinking + Chamfering for Carrier



TDS



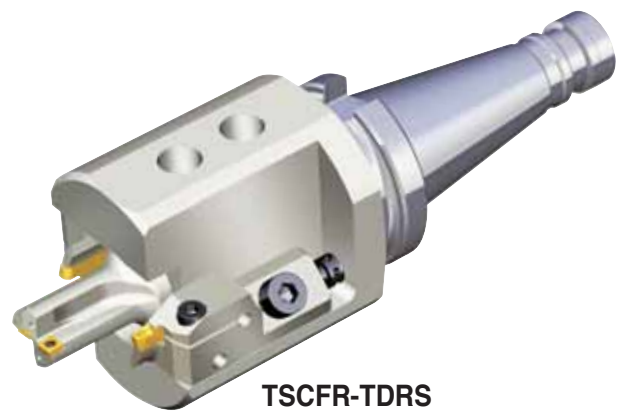
SPMG



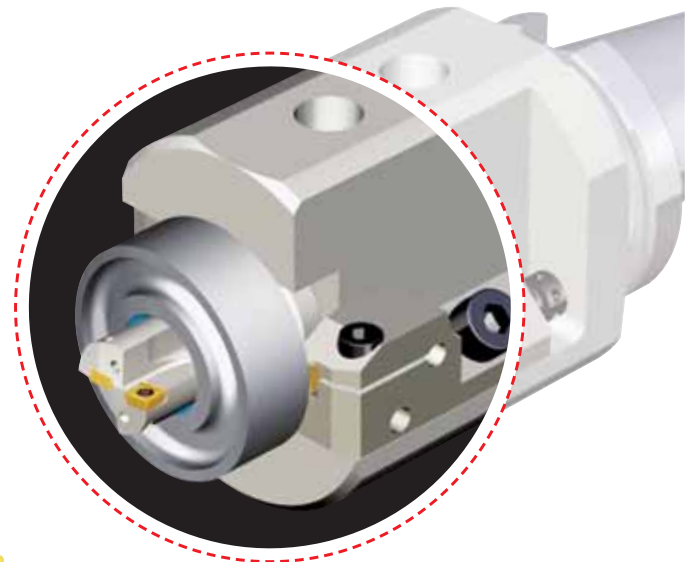
TCGW

## Modular type tool with T-DRILL holder

Drilling + Face grooving for Hub



TSCFR-TDRS



SPMG



TDFT

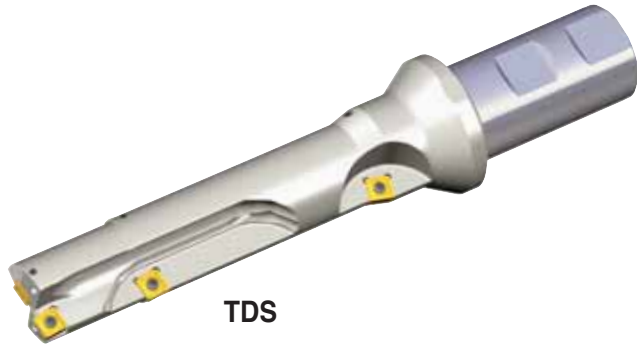
Special Products



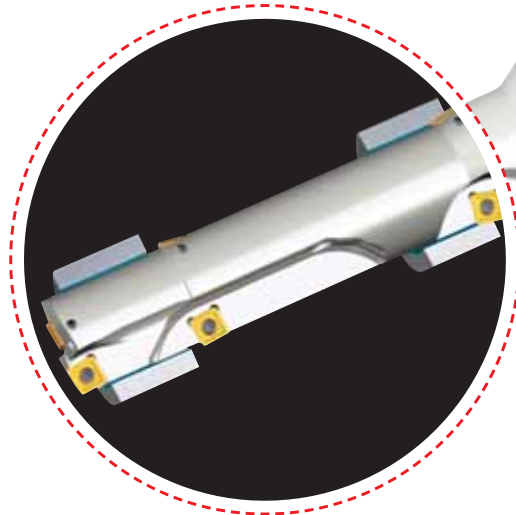
# HOLEMAKING

## Multi function T-DRILL holder

Drilling + Boring + Chamfering for Cylinder block



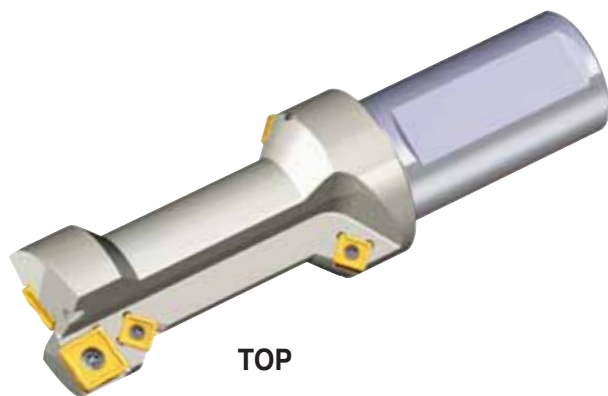
TDS



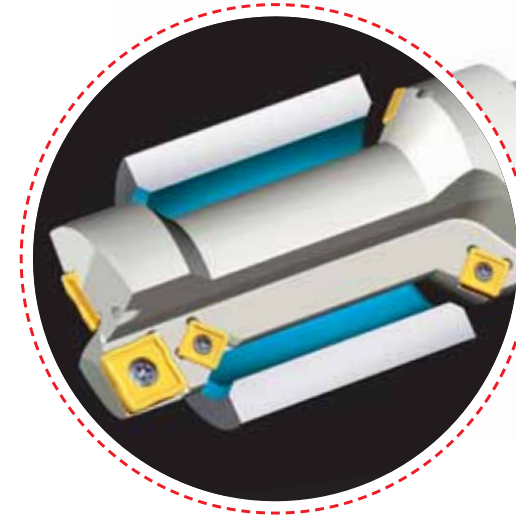
SPMG

## Multi function TOPDRILL holder

Drilling + Front & back chamfering for Wind turbine component



TOP



SOMT

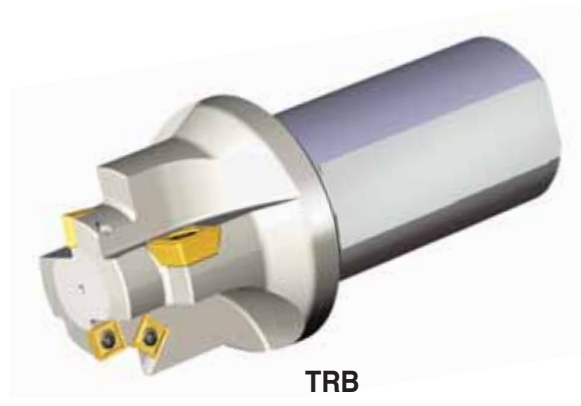


SPMG

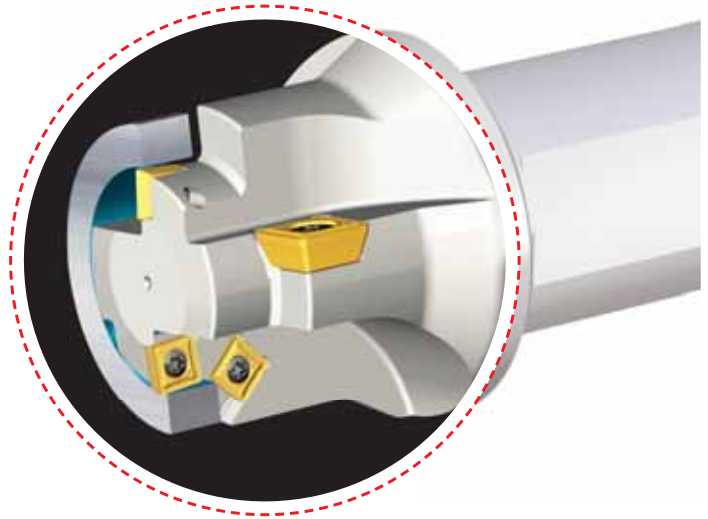
# HOLEMAKING

## Multi function tool

Boring + Chamfering + Spot facing for Main frame



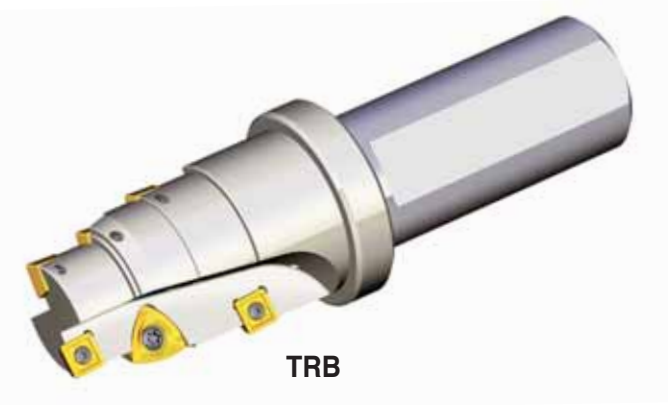
TRB



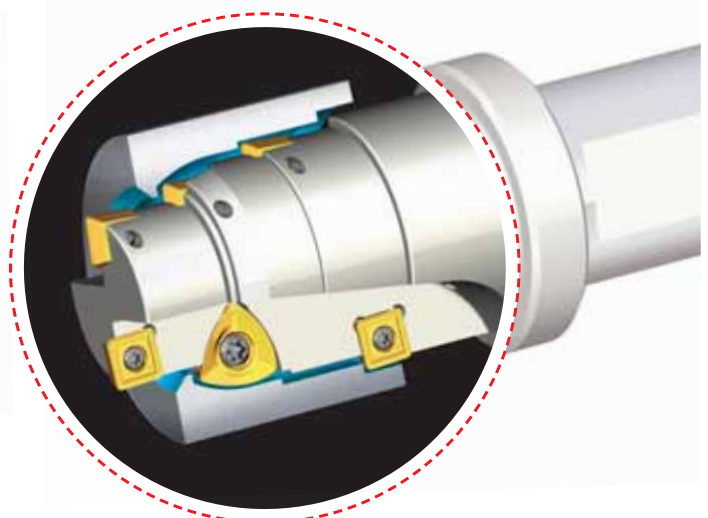
SPMG

## Multi function tool

Multiple diameter step boring for Bearing housing



TRB



RBET



SPMG

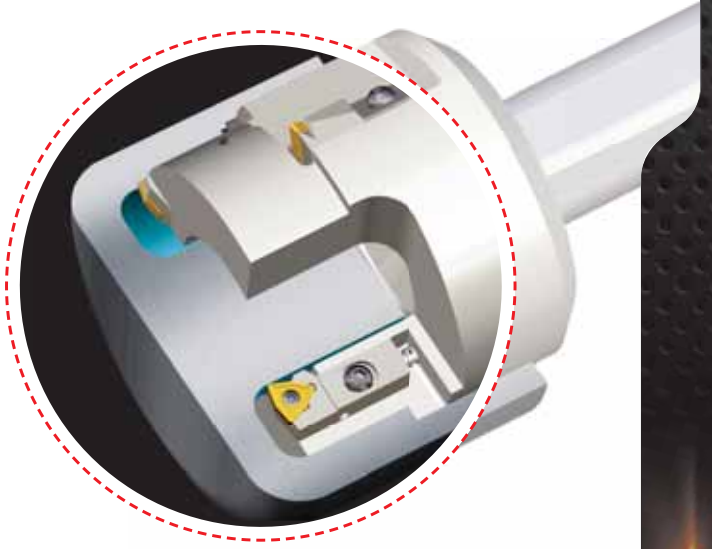
# HOLEMAKING

## Cartridge type trepanning holder

Trepanning tool for Defense part



TRP



WCMX



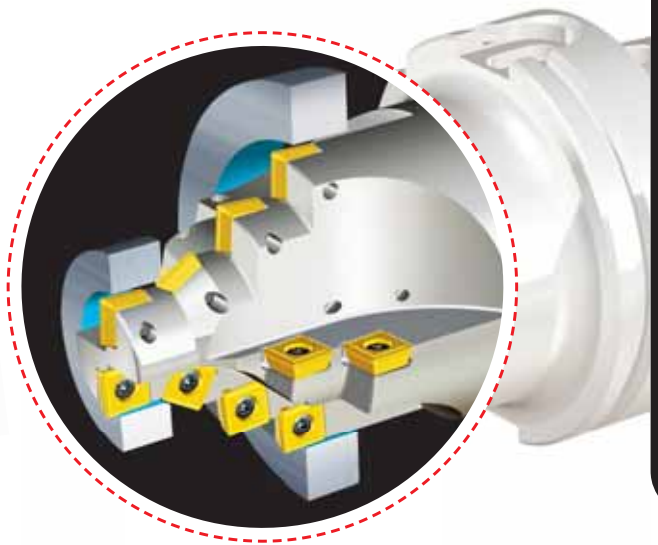
TNMG

## Multi function tool

Drilling + Multiple step machining for Cylinder block



HSK A 100 TRB

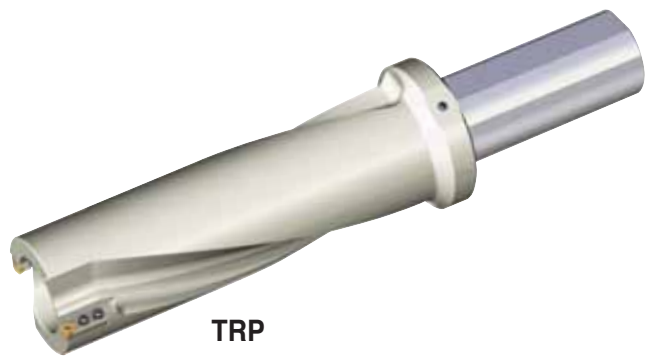


SPMG



# HOLEMAKING

## Combi type trepanning holder Fixed pocket + Cartridge for Shaft



TRP



WCMX

## Combi type boring tool Fixed pocket + Cartridge for Turbine housing



BT50 TRB



SNGX



SPMG



TNMG

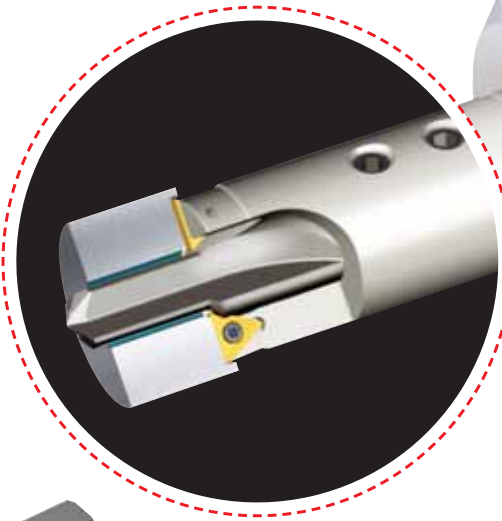
# HOLEMAKING

## Modular type tool with solid carbide drill

Drilling + Spot facing for Carrier



TFB



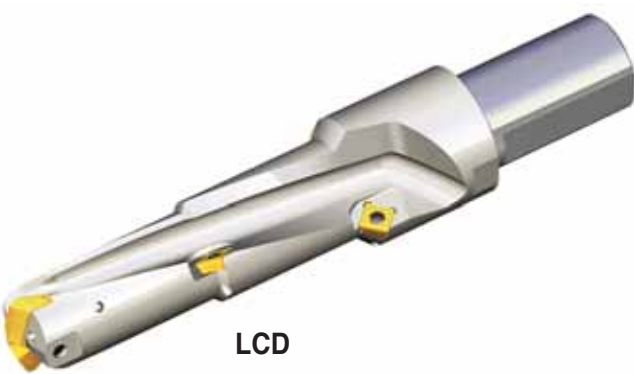
TCMT



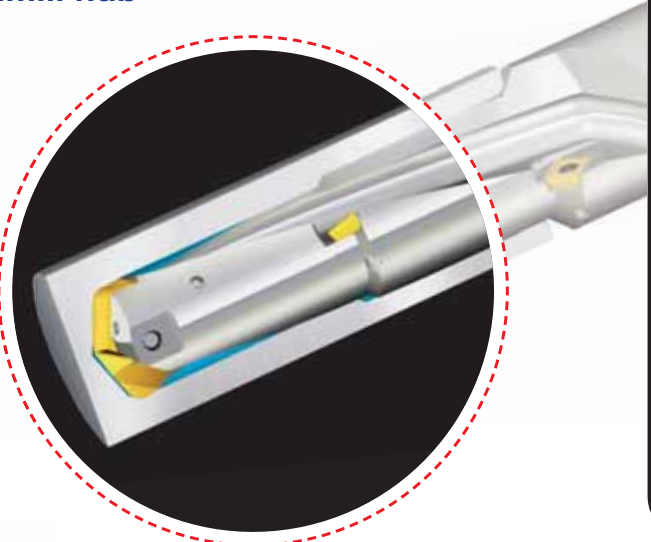
BOD

## Multi function SPADERUSH holder

Drilling + Boring + Chamfering for Windmill hub



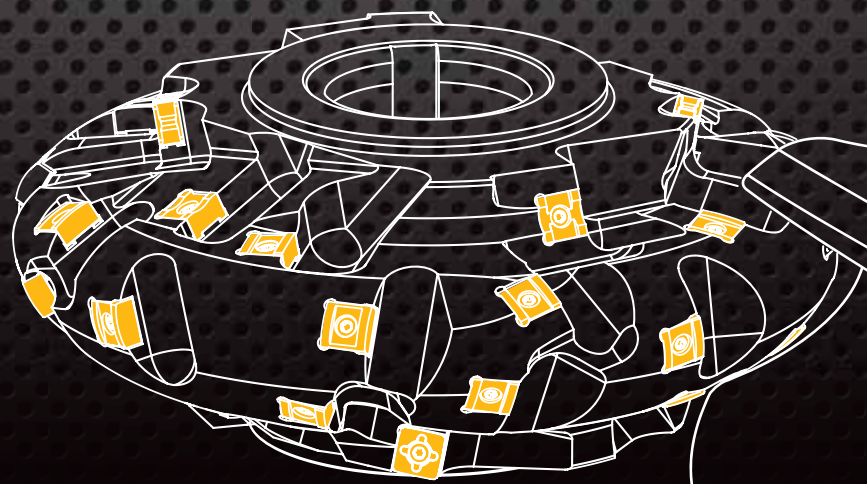
LCD



SPMG



LCD



# **MILLING**

## Special Products





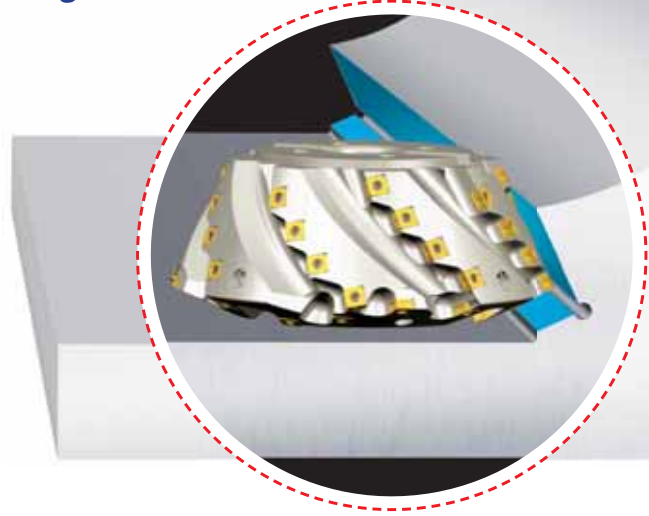
# MILLING

## Cone shape cutter

Milling for Bearing cap seat of ship engine



TFMC



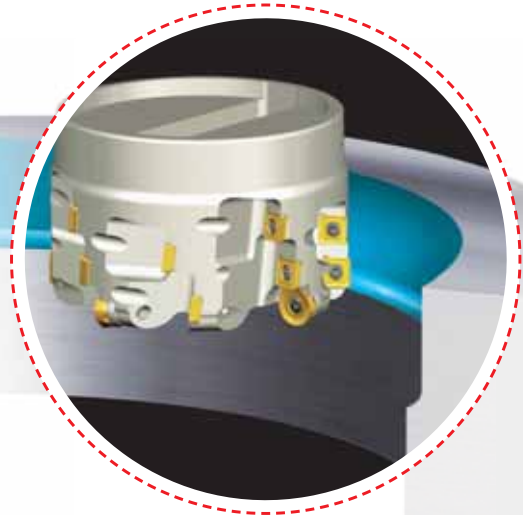
SNA

## Extended flute with big corner radius

Internal circular milling for Turbine casing



TES



SPMG

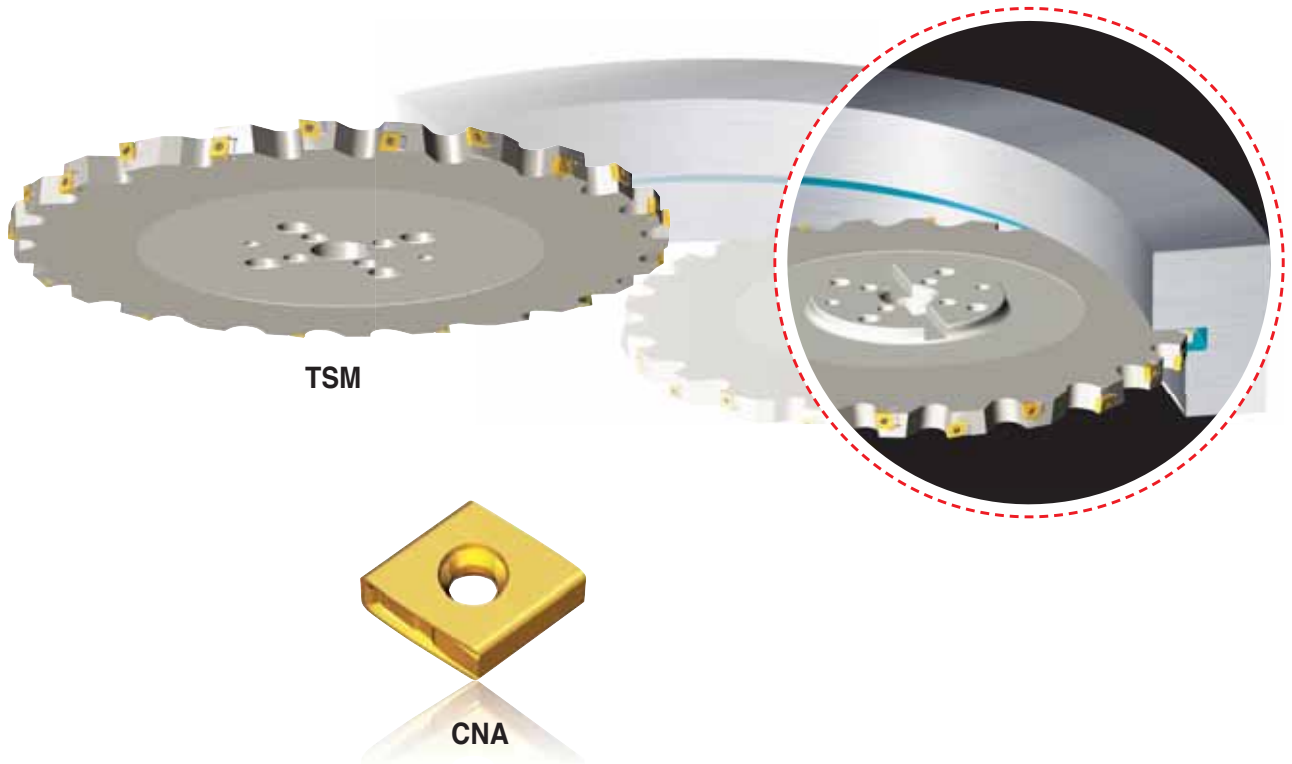


RYMX

# MILLING

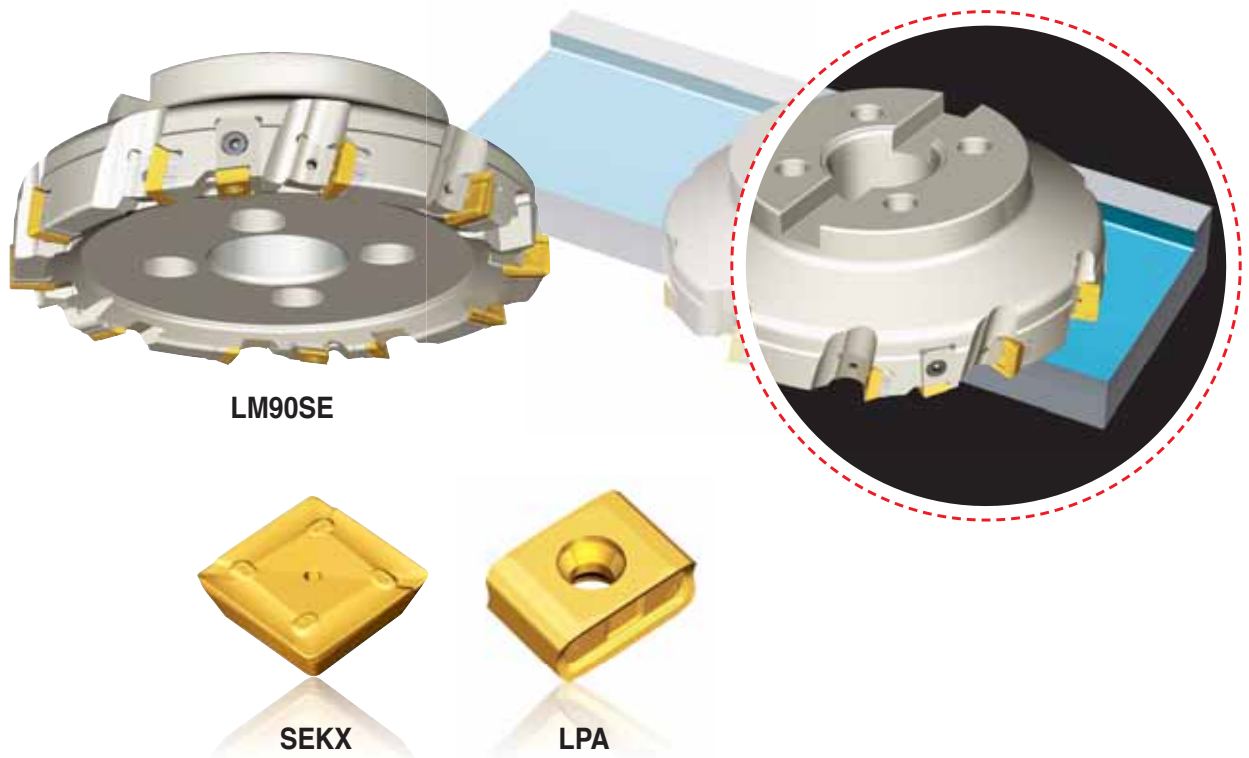
## Big dia. heavy slotting cutter

Inner slotting for Turbine casing



## Standard cutter + special wiper insert

Guide way machining for Frame box of ship engine



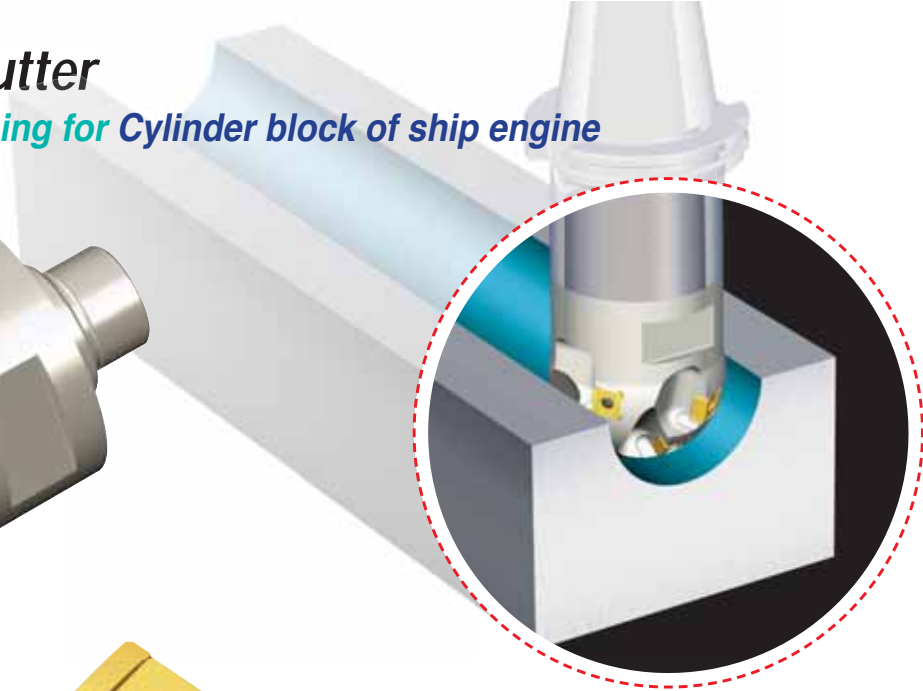
# MILLING

## Ball shape cutter

*Tangential machining for Cylinder block of ship engine*



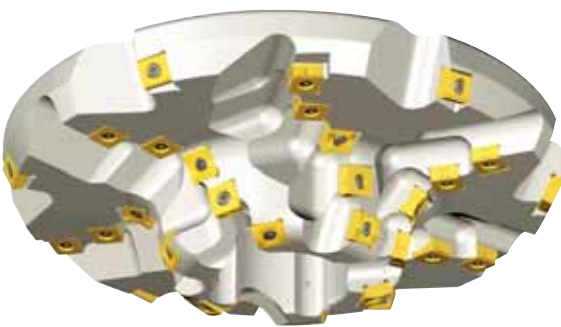
TTBE



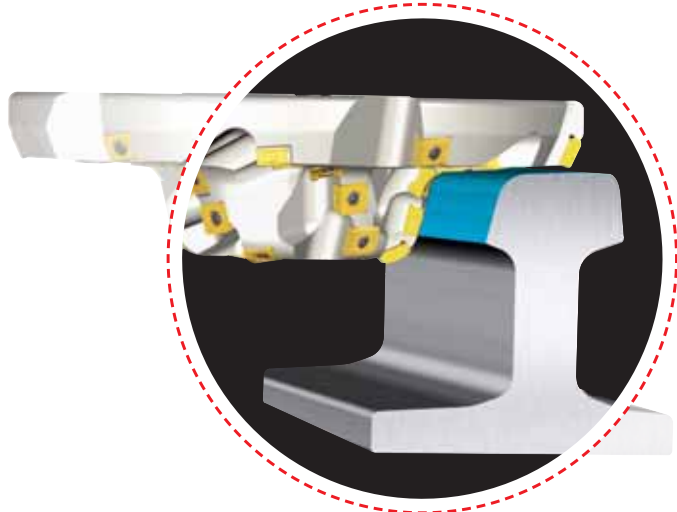
SNB-CV

## Form shape cutter

*Form machining for wheel face of Rail*



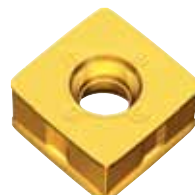
TRMC



SNB-CV



SNB-CC



SNA



# MILLING

## Multi function cutter

Facing + Chamfering tool for Rotor housing of windmill



TFMC



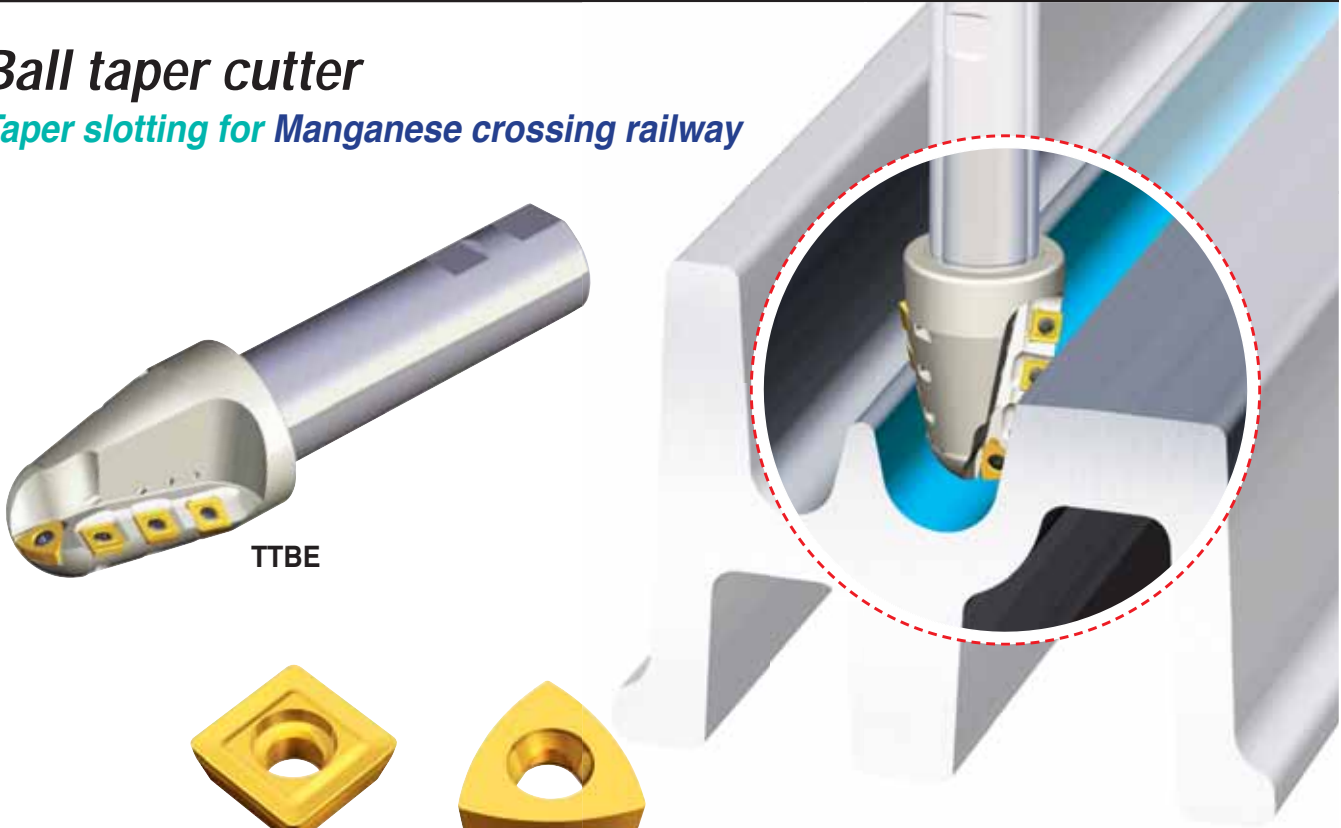
APKT



6NGU

## Ball taper cutter

Taper slotting for Manganese crossing railway



TTBE



SPMT



TPKZ

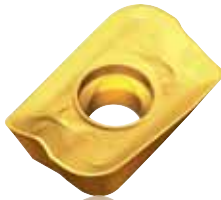
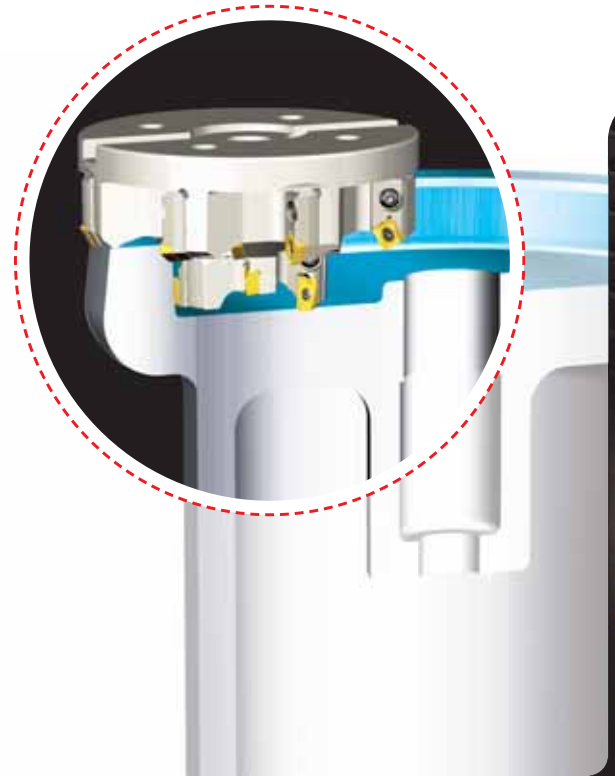
# MILLING

## Circular milling cutter

*Circular machining for Rail bogie beam bolster*



TFMC



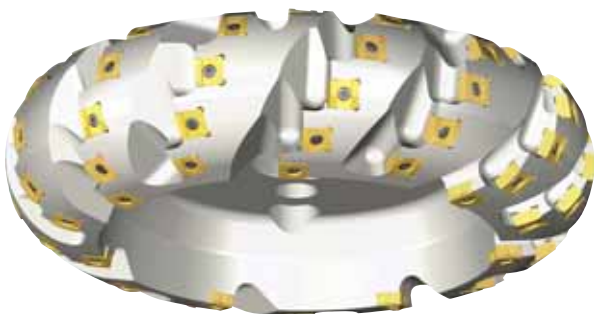
APKT



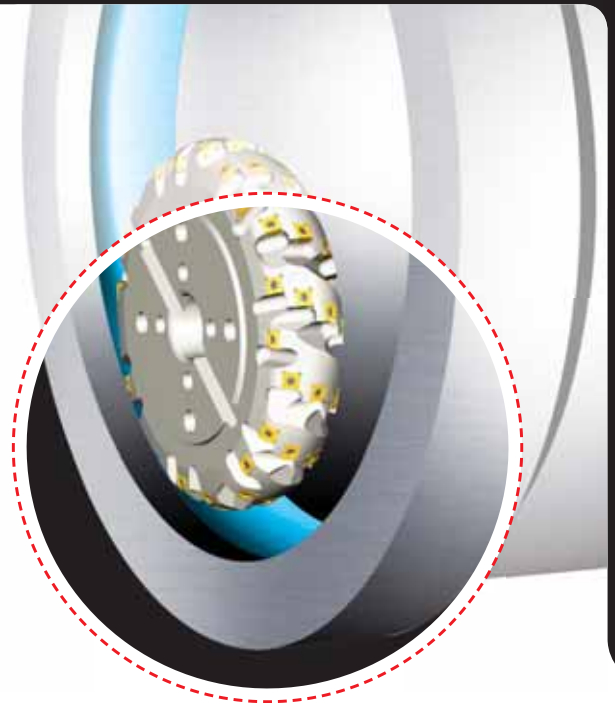
SBMT

## Convex R cutter

*Inner slotting for Big pipe*



TRMC



SNA



SNB-CV

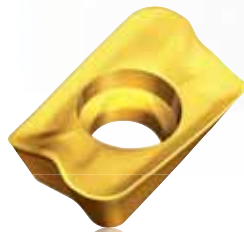
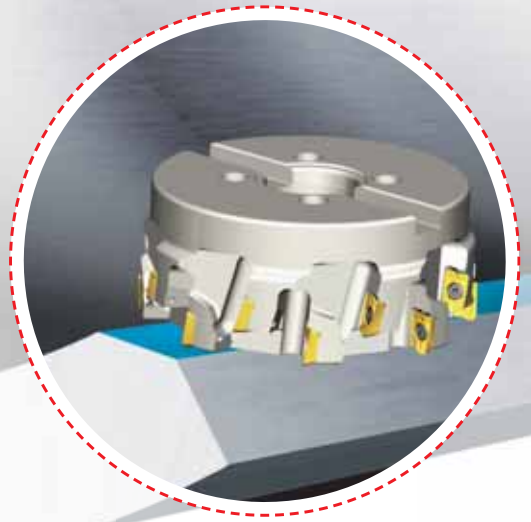
# MILLING

## Extended flute face cutter

Pipe edge machining for welding preparation



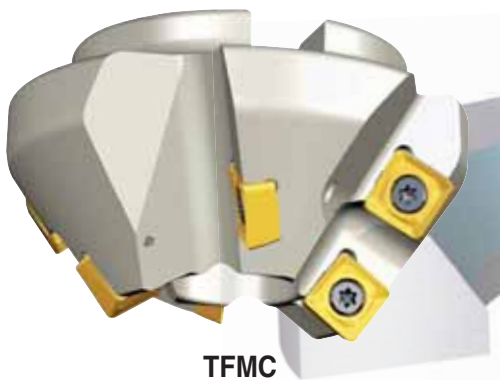
TFMC



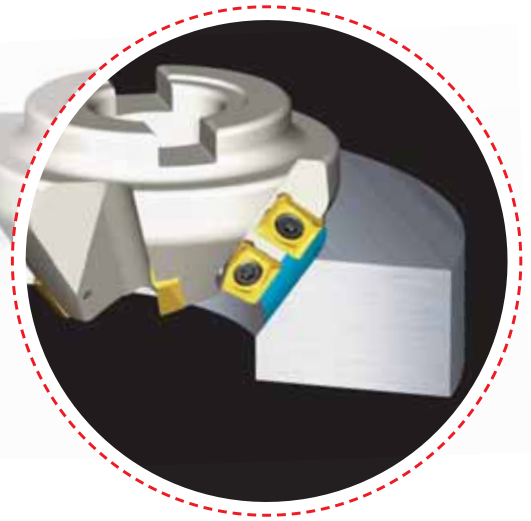
APKT

## Taper angle cutter

Steel plate edge machining for welding preparation



TFMC



SBMT



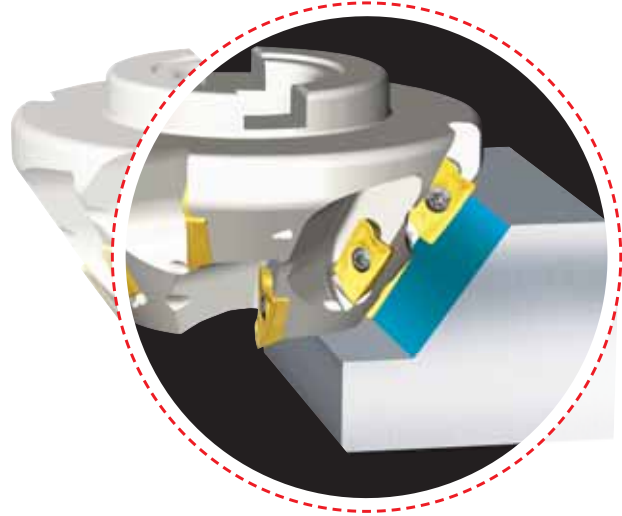
# MILLING

## Extended flute taper cutter

Bevel angle machining for welding preparation of Steel plate



TFMC



APKT

## Pipe edge milling cutter

Welding preparation for Pipe



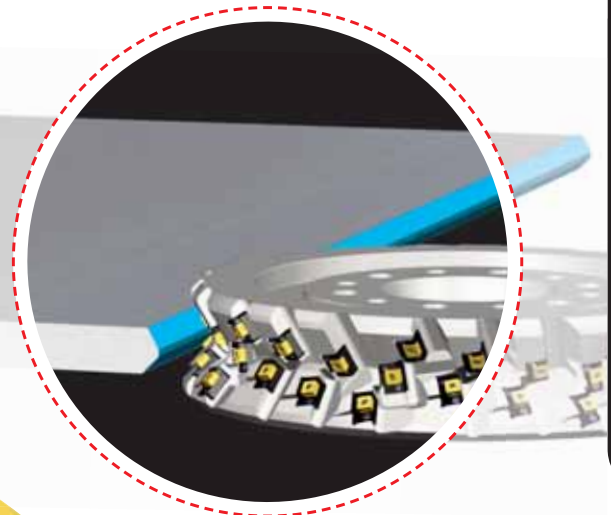
TEMC  
Cartridge type



TEMC  
Segment type



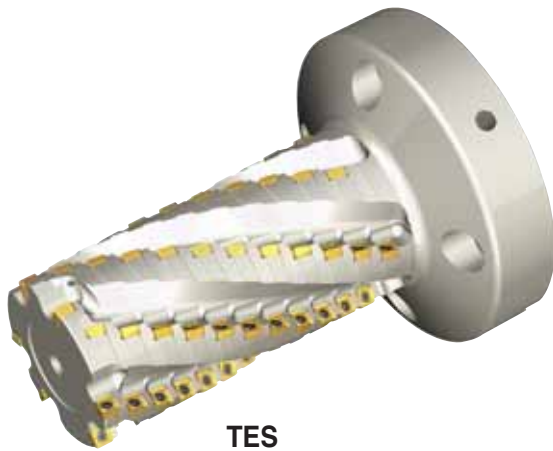
SNA



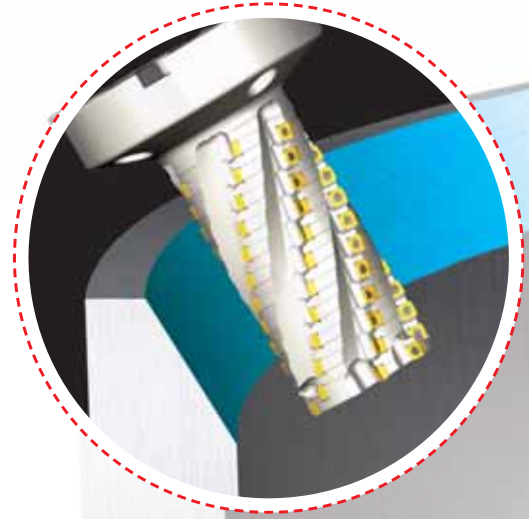
# MILLING

## Extended flute cutter

Welding preparation for Pipe



TES



SBMT

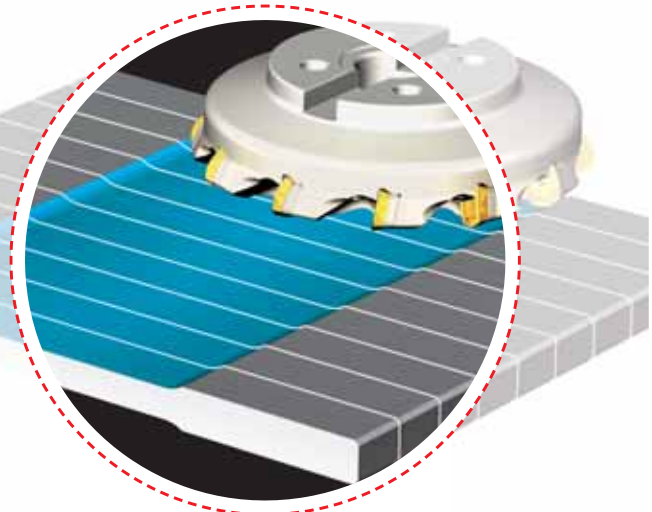
## Radius form tool

Tensile specimen machining

- Available for high feed machining



TTSM

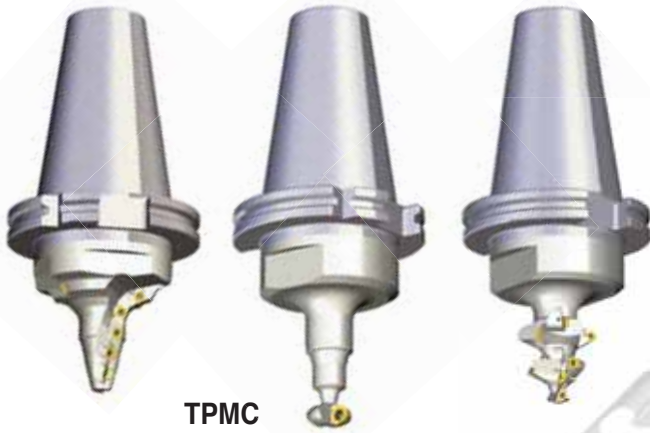


SDKR

# MILLING

## Fir tree cutter

Rough & semi-finish machining for side entry slot of Turbine rotor



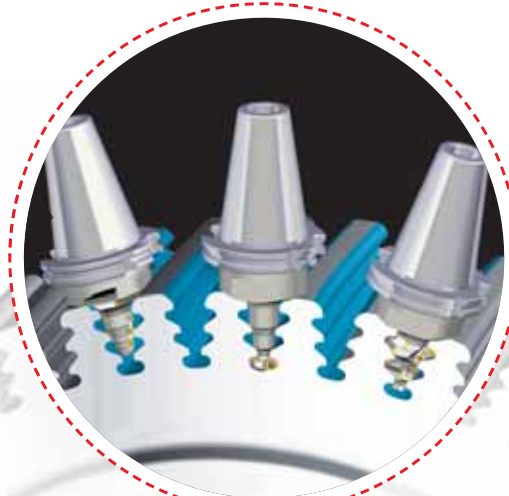
TPMC



APKT



XCGT



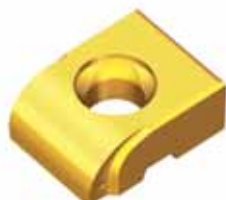
Special Products

## Finger slot cutter

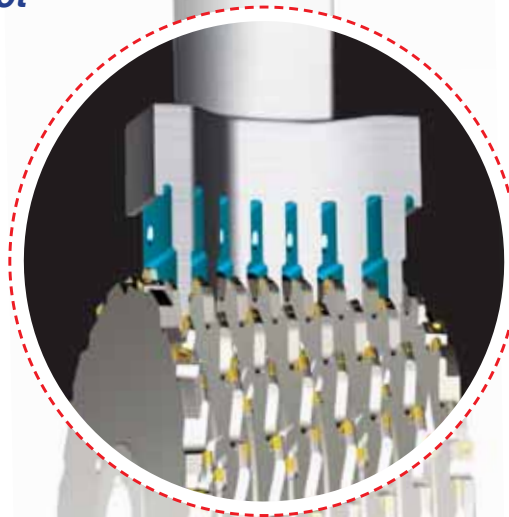
Finger slot machining for Turbine blade root



TFG



ZNHX





# MILLING

## Full radius slotting cutter

Oil groove machining for Connecting rod of ship engine



TSM



RYMX

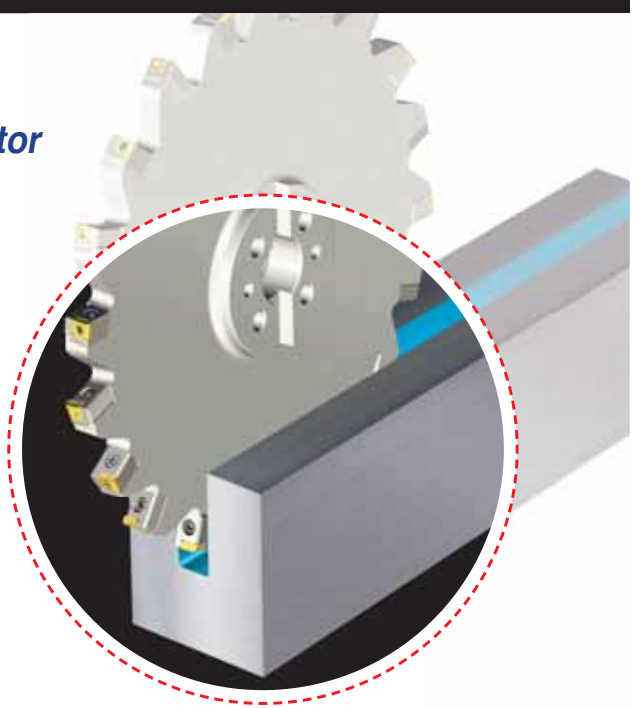
Special Products

## Cartridge type slotting cutter

Coil slot machining for Turbine generator rotor



TSM



LNA

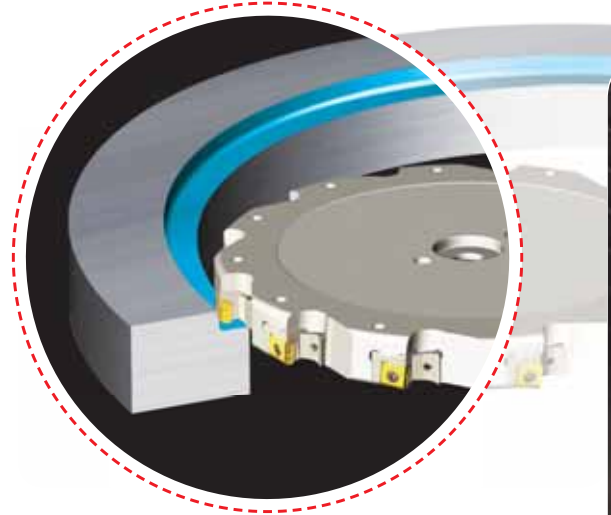
# MILLING

## Side facing cutter

Cartridge & wedge clamping for Bed plate of ship engine



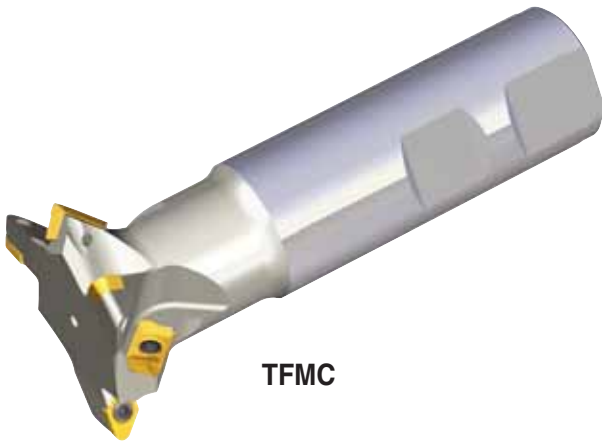
TSM



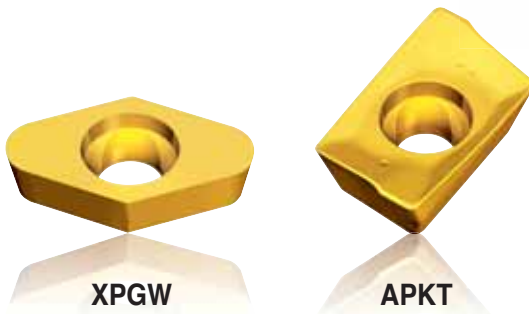
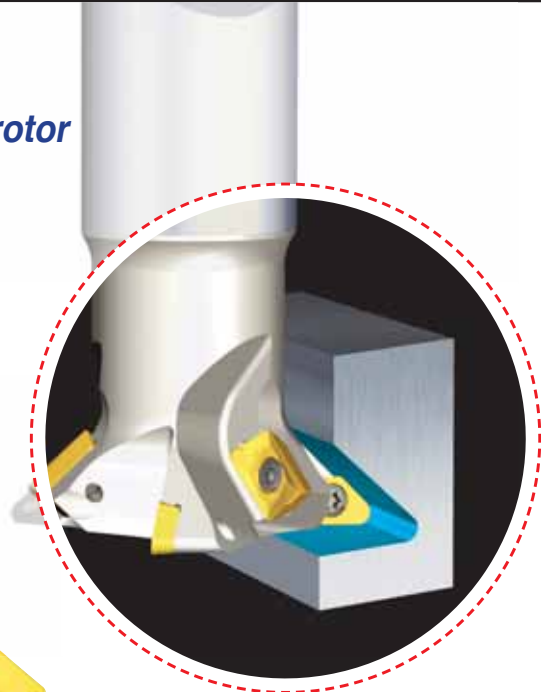
LNA

## Dovetail cutter

Dovetail slot machining for Gas turbine rotor



TFMC



XPGW

APKT

# MILLING

## Male worm gear cutter

Male worm gear machining for Pump compressor screw



TGMC



SNA



LNA



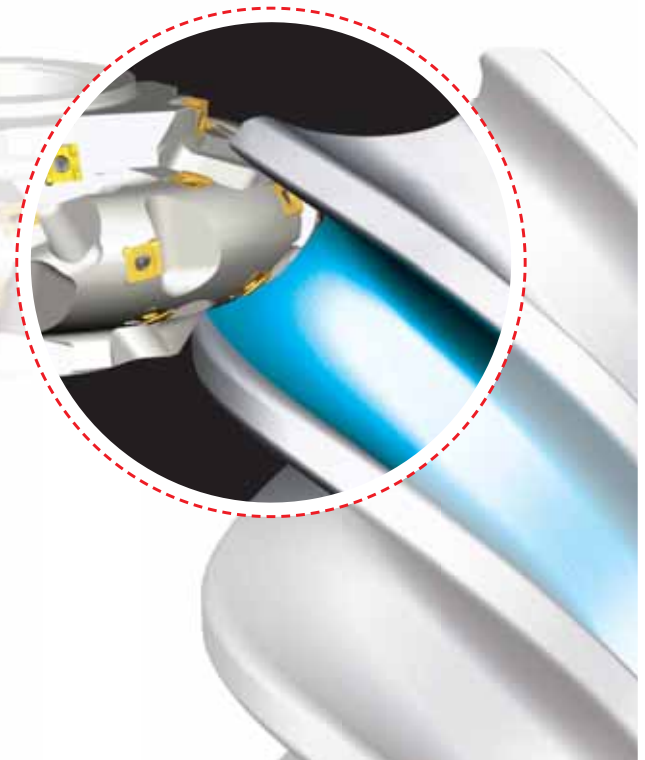
SNB-CC

## Female worm gear cutter

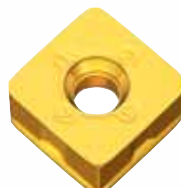
Female worm gear machining for Pump compressor screw



TGMC



SNB-CV



SNA



# MILLING

## Spur gear single gasher

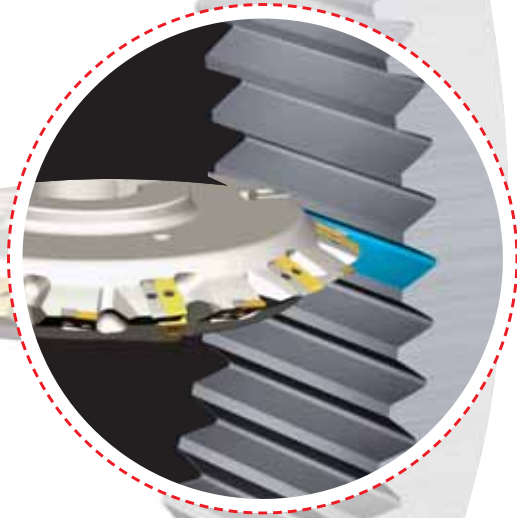
Finish machining for Spur gear



TGMC

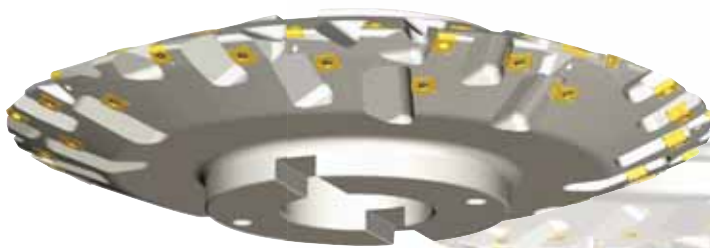


TGI

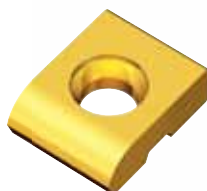


## Spur gear single gasher

Rough machining for Spur gear



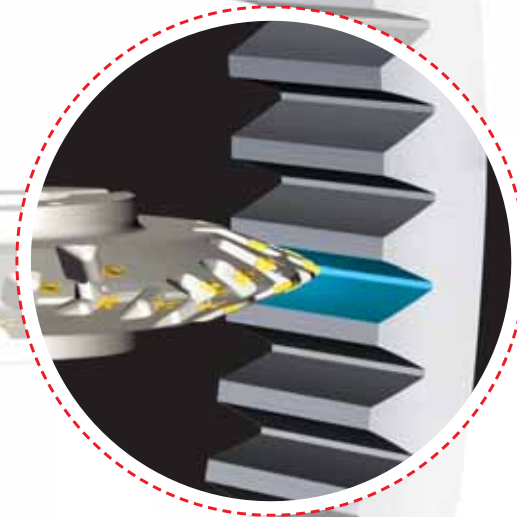
TGMC



ZNHW



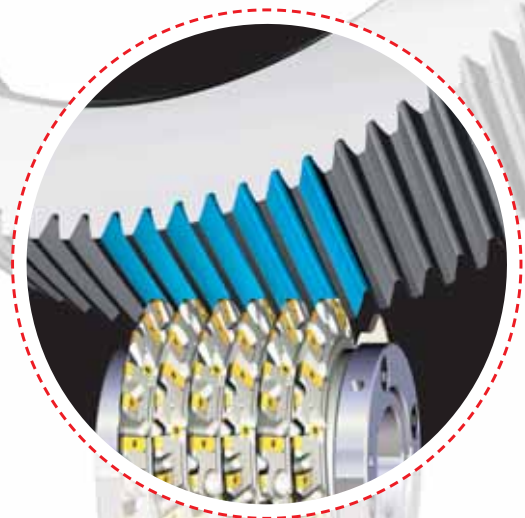
SNA



# MILLING

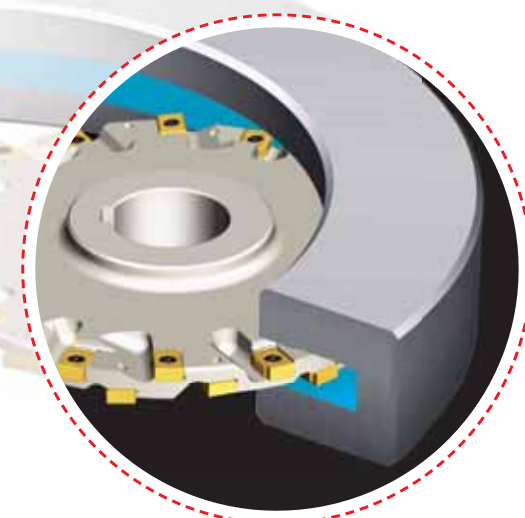
## Hob cutter

External gear milling for Hob

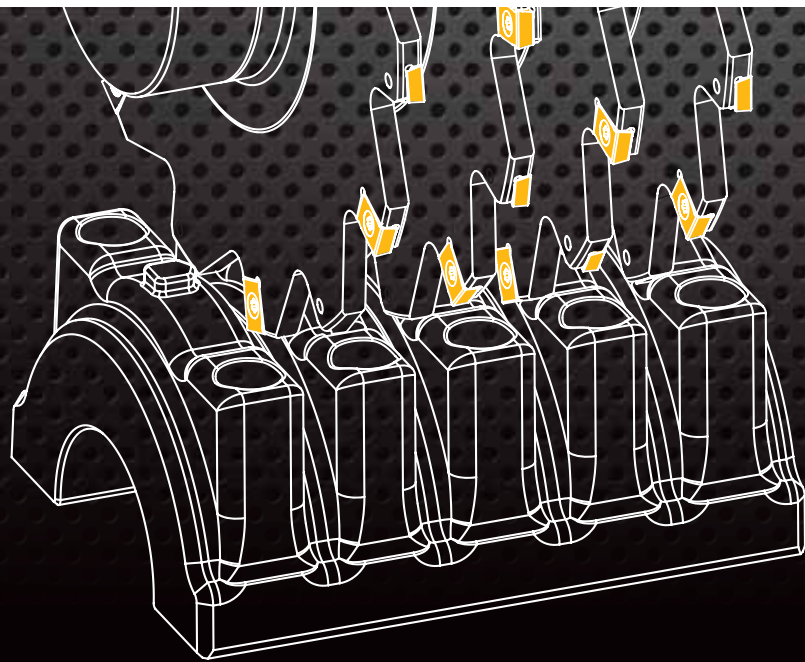


## Slotting cutter

Slotting for Disc gear body

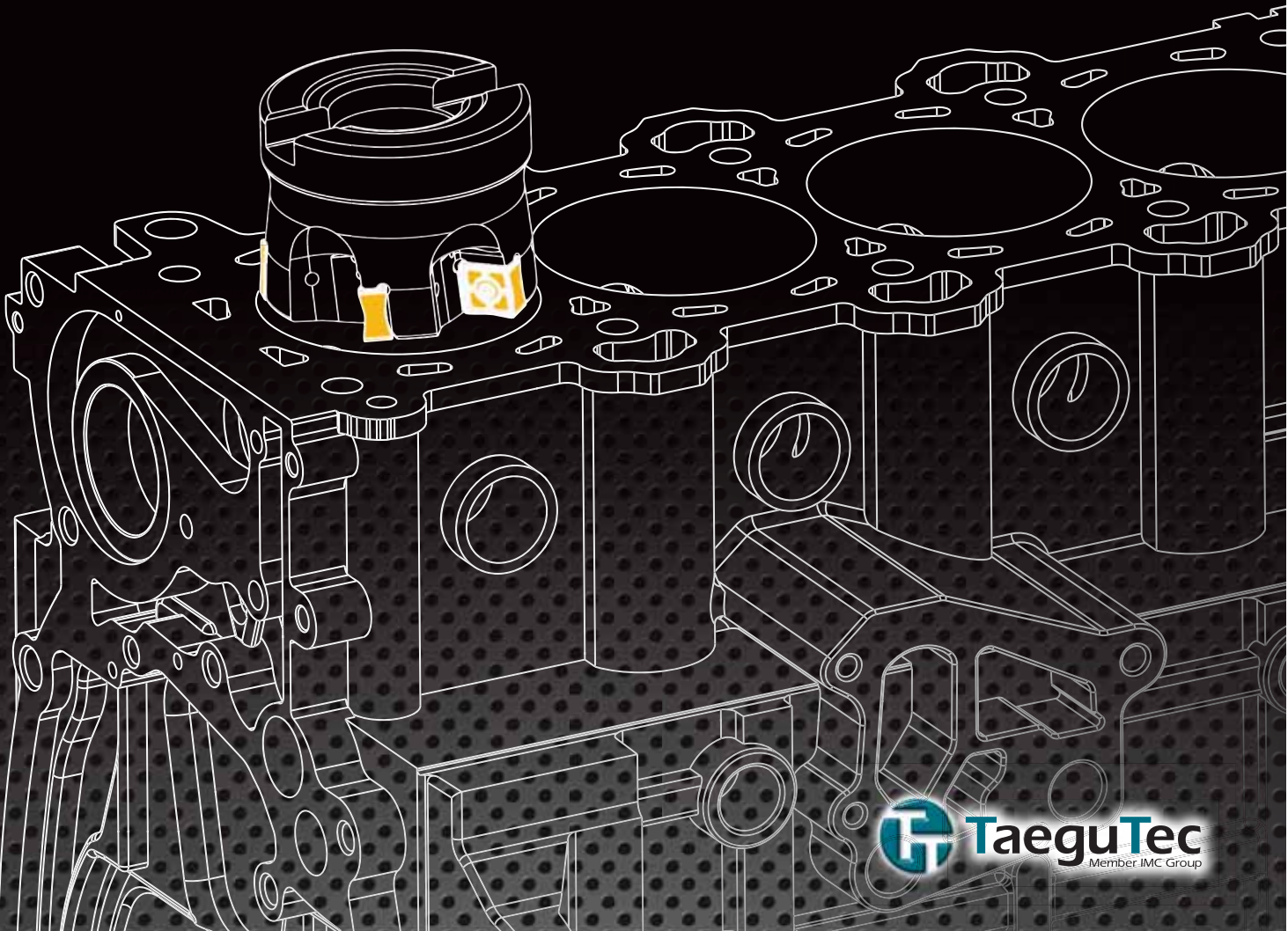






# ***MILLING - AUTOMOTIVE***

## **Special Products**





**Light weight aluminum cutter**

*High speed machining for Aluminum cylinder head & block*



**AFM90B**



**TCT13**



**Face mill cutter**

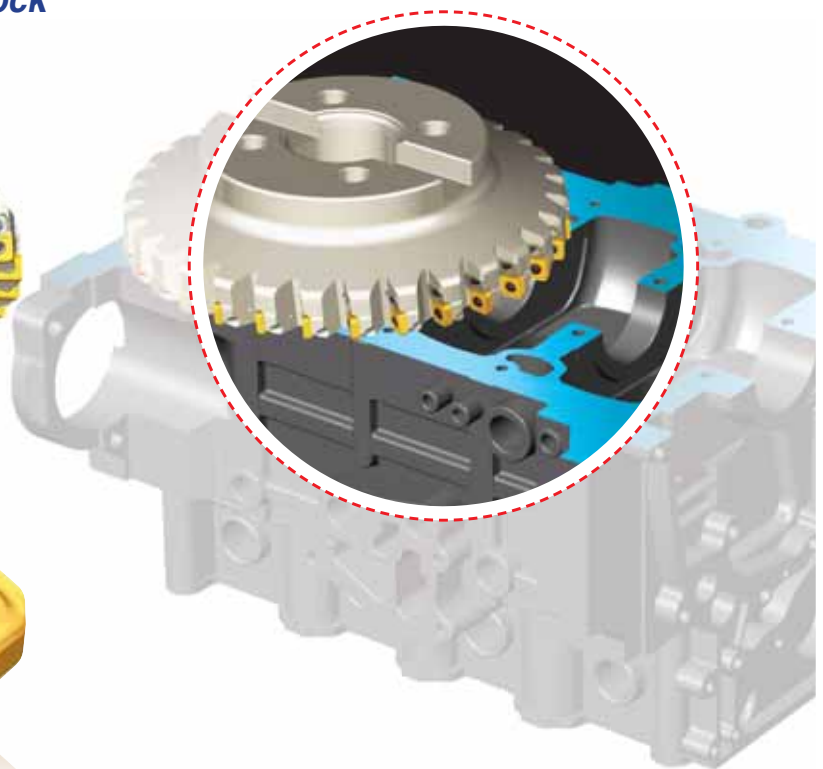
*Finish machining for Cylinder block*



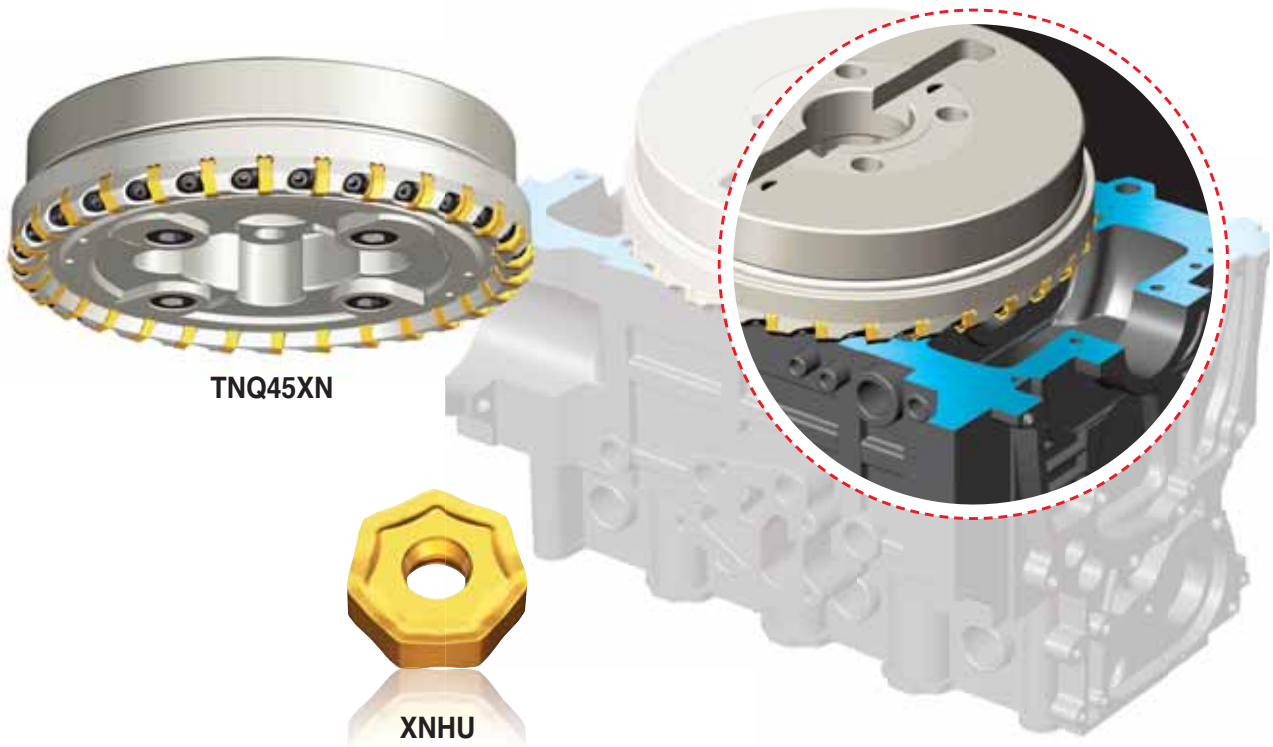
**TFM90SNS**



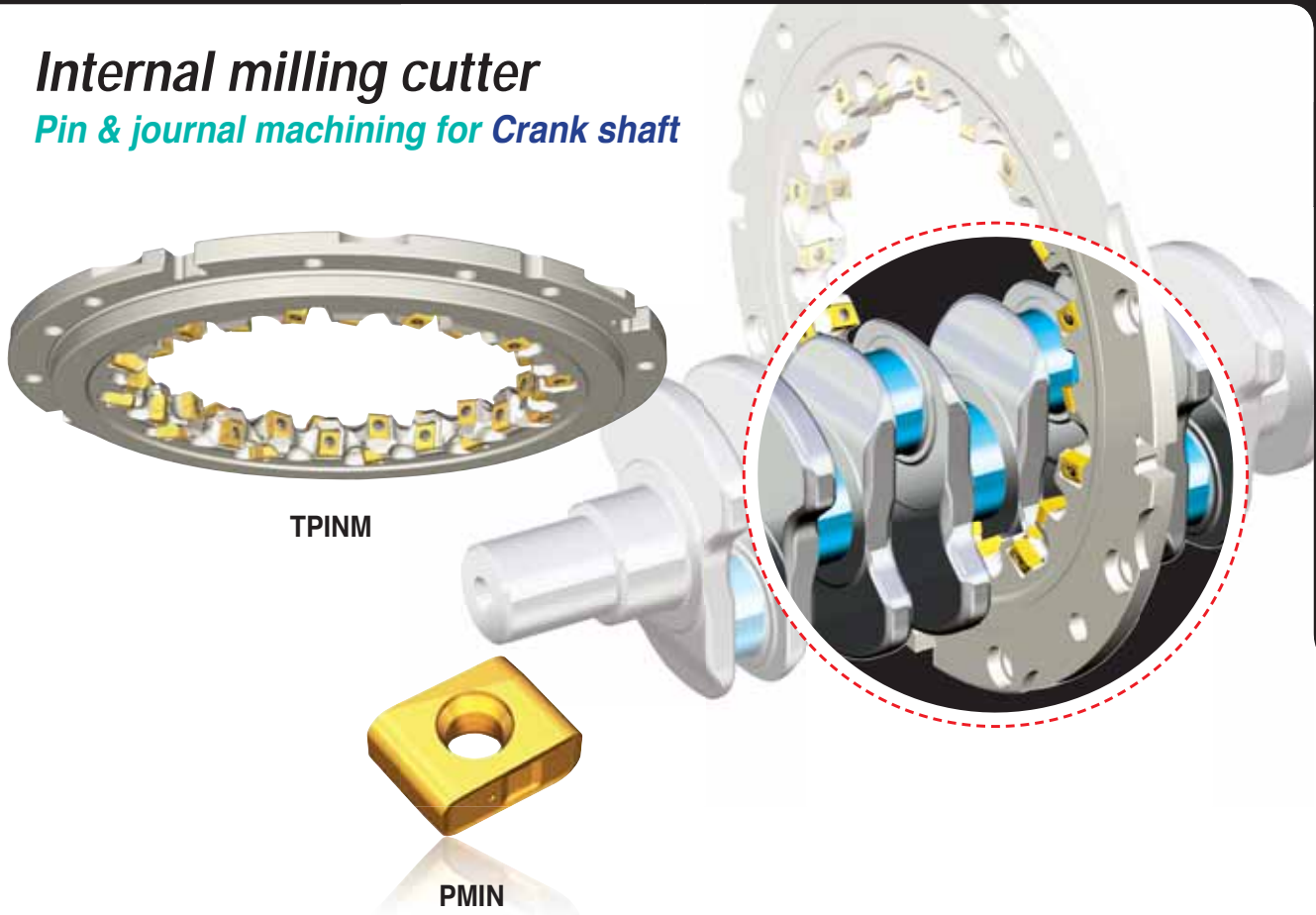
**SNEX**



**Quick change cutter system**  
*Big diameter face milling for Cylinder block*



**Internal milling cutter**  
*Pin & journal machining for Crank shaft*



### Slotting cutter

Big radius shape machining for Brake caliper body



TTSC



LNCX

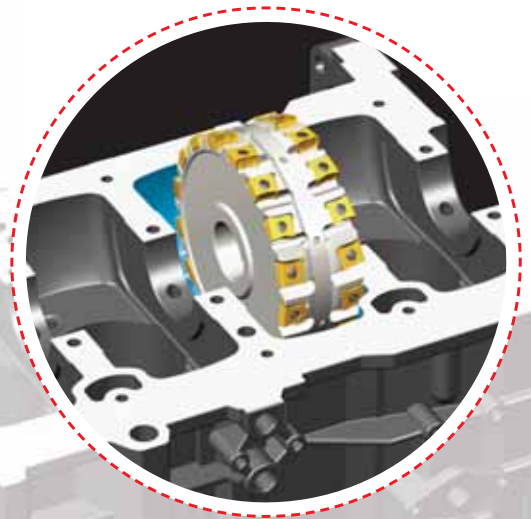
LN

### Side facing cutter

Double side machining for Cylinder block



TSFC

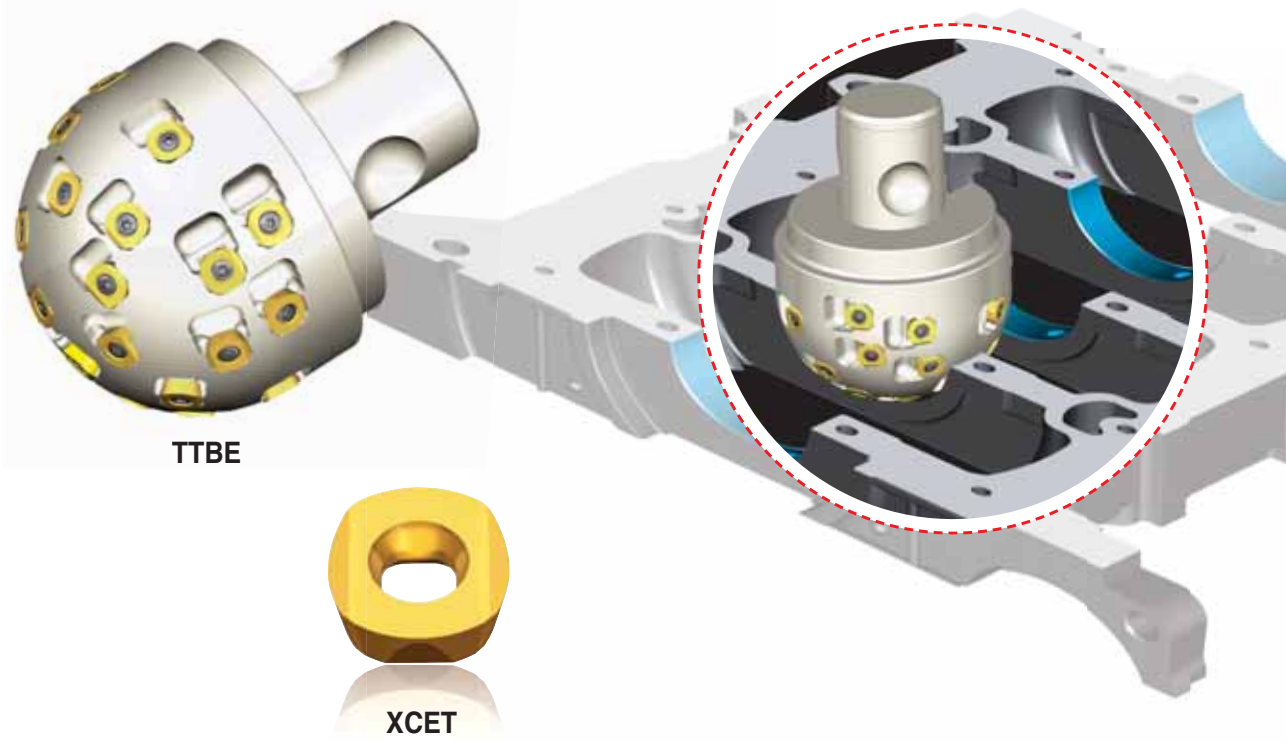


LVH



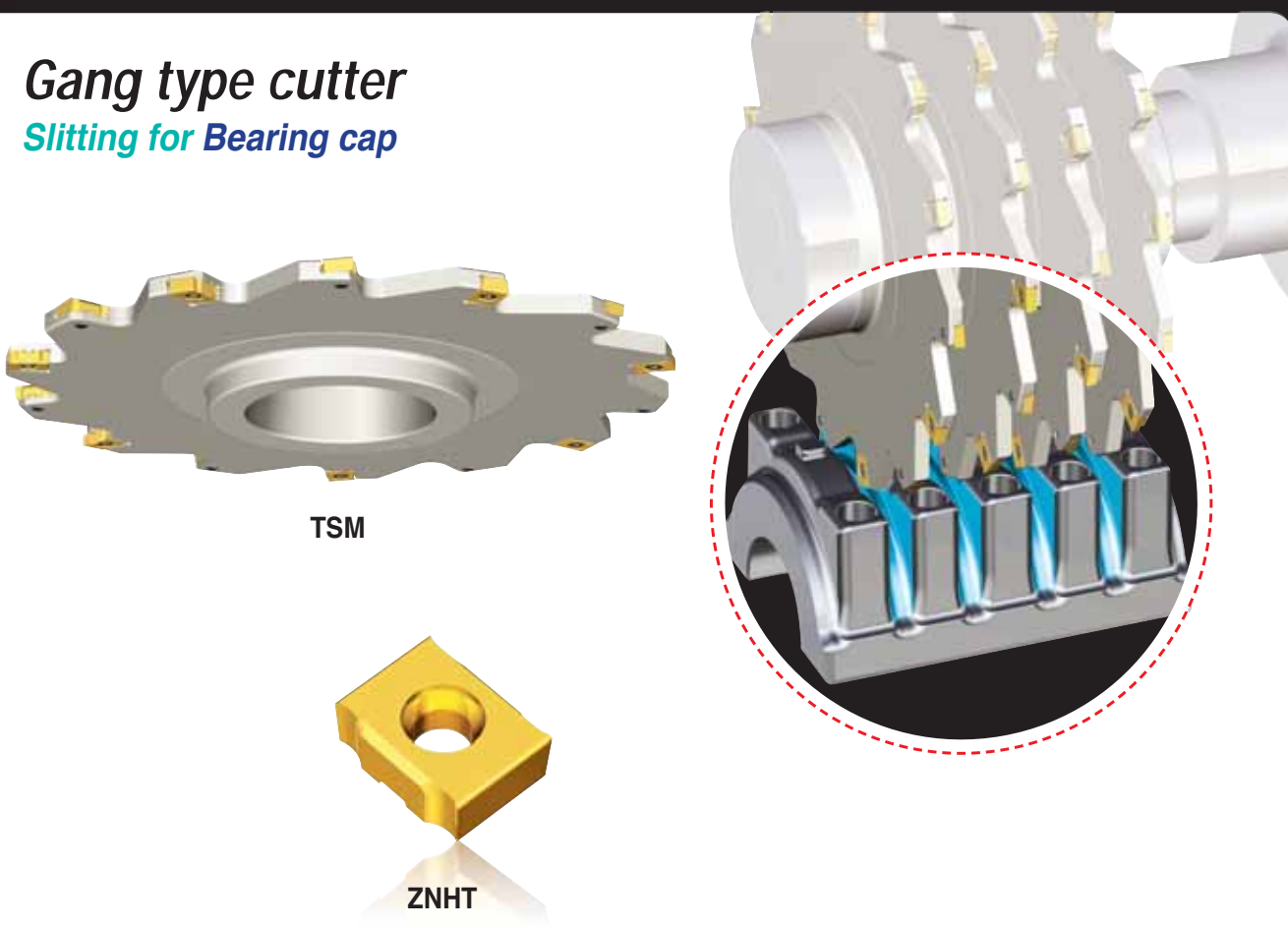
**Half bore cutter**

*Rough half boring for Bed plate*



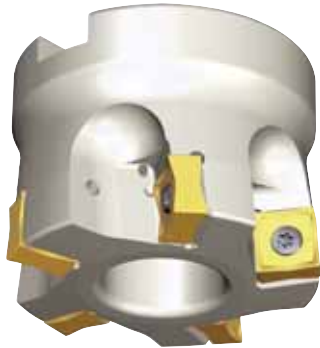
**Gang type cutter**

*Slitting for Bearing cap*



### Boring cutter

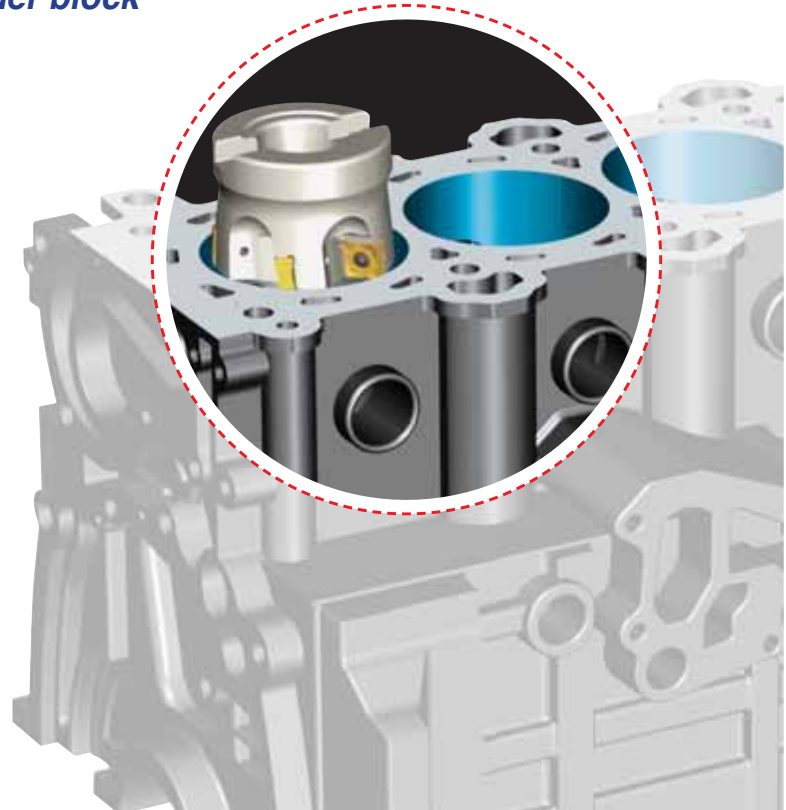
Rough boring machining for Cylinder block



TTBC

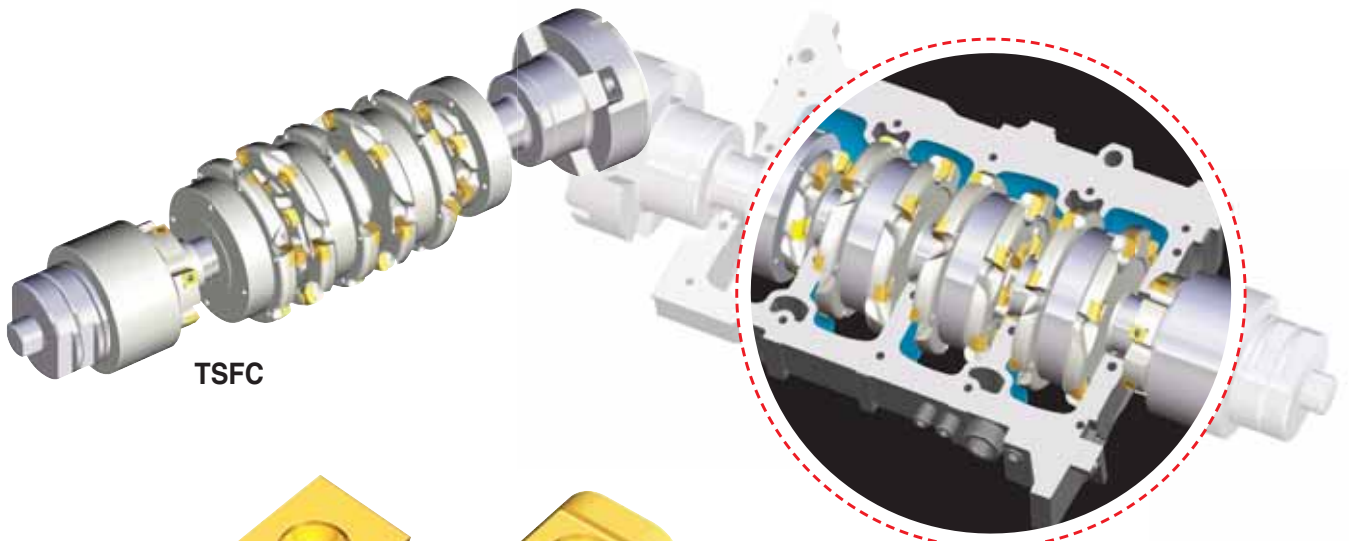


SNGX



### Gang type cutter

Cheek face machining for Bed plate



TSFC



LNCX



SNB

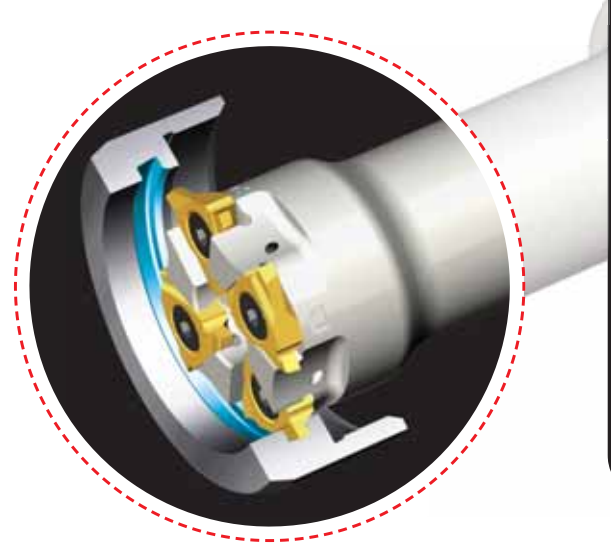
## Internal form cutter

*Rough machining for Manifold*



## Grooving tool

*Seal grooving for Brake caliper body*





# TaeguTec Global Network

## World Headquarters

**TaeguTec Ltd.**  
1040 Gachang-ro, Gachang-myeon,  
Dalseong-gun, Daegu 42936, KOREA  
Tel: +82-53-760-7640  
Web: <http://www.taegutec.com>

## Argentina

**TaeguTec Argentina SA**  
11 de septiembre 4237- Piso 7  
(C1429BJC) Ciudad Autónoma  
Buenos Aires, Argentina  
Tel: +54-11-4702-6222  
E-mail: [ventas@taegutec.com.ar](mailto:ventas@taegutec.com.ar)

## Australia

**TaeguTec Australia Pty Ltd.**  
Unit 37, Five Ways Business Park,  
Keysborough Close, Keysborough,  
VIC 3173 Australia  
Tel: +61-3-9798-1900  
E-mail: [sales@taegutec.com.au](mailto:sales@taegutec.com.au)

## Belarus Rep.

**Twing-M**  
3/2 Klumova Str, Minsk, 220009,  
Republic of Belarus  
Tel: +375-17-506-3238  
E-mail: [info@twing.by](mailto:info@twing.by)

## Belgium

**Usi-Tools S.P.R.L.**  
Parc Industriel Des Hauts  
Sarts1 Avenue,145  
4040 Herstal, Belgium  
Tel: +32-42-480-481  
+32-475-783-204  
E-mail: [usitools@skynet.be](mailto:usitools@skynet.be)

## Brazil

**TaeguTec Brasil Ltda.**  
Rua Tito, 104-Lapa-Cep 05051-000  
São Paulo, Brasil  
Tel: +55-11-3868-6032  
E-mail: [vendas@taeguabrasil.com.br](mailto:vendas@taeguabrasil.com.br)

## Bulgaria

**Tekotek BG Ltd.**  
Alexander Stamboliyski No 31,  
7700 Targovishte, Bulgaria  
Tel: +359-878-05-1818  
E-mail: [tekotekbg@gmail.com](mailto:tekotekbg@gmail.com)

## Chile

**Cutting Tools Chile E.I.R.L.**  
Alcalde Pedro Alarcón N° 765,  
San Miguel, Santiago - Chile  
Tel: +56-2-553 6944  
+56-2-552 1181  
E-mail: [ventas@cuttingtools.cl](mailto:ventas@cuttingtools.cl)

## China

**TaeguTec China**  
RM 1205, Huishang Office Building,  
No 1286 of Minsheng RD,  
Pudong New District, Shanghai, China  
PC: 200135  
Tel: +86-21-5106-1260  
E-mail: [mail@taegutec.com.cn](mailto:mail@taegutec.com.cn)

## Croatia

**Intehna Zagreb d.o.o.**  
Samoborska cesta 255, 10090  
Zagreb-Susedgrad, Croatia  
Tel: +385-1-3436-919  
E-mail: [info@intehna.hr](mailto:info@intehna.hr)

## Czech Rep.

**TaeguTec ČR s.r.o.**  
Domažická 180a, CZ-31800 Plzeň,  
Czech Rep.  
Tel: +420 373 720 999  
E-mail: [top@taegutec.cz](mailto:top@taegutec.cz)

## Denmark

**TaeguTec Scandinavia A/S.**  
Omogade 8, DK-2100 Copenhagen,  
Denmark  
Tel: +45-7022-0103  
E-mail: [tts@taegutec.dk](mailto:tts@taegutec.dk)

## Finland

**Knorrning OY AB**  
Mestarintie 4 FI-01730 Vantaa, Finland  
Tel: +358 9 560 41  
E-mail: [knorrning@knorrning.fi](mailto:knorrning@knorrning.fi)

## France

**Ingersoll TaeguTec France S.A.R.L.**  
21, rue Gallée F-77420  
CHAMPS-sur-MARNE, France  
Tel: +33 (0)1 64 68 45 36  
E-mail: [info@ingersoll-ilmc.fr](mailto:info@ingersoll-ilmc.fr)

## Germany

**Ingersoll Werkzeuge GmbH**  
Kalteiche Ring 21-25, D-35708, Haiger,  
Germany  
Tel: +49 2773-742 0  
E-mail: [info@ingersoll-IMC.de](mailto:info@ingersoll-IMC.de)

## Greece

**FG Technotools-G. & K.Fakitsas Co.**  
25th Martiou & Thrakis 15, 15235 Vrillisia,  
Athens, Greece  
Tel: +30-2-10-832-0752  
E-mail: [Giorgos@technotools.gr](mailto:Giorgos@technotools.gr)

## Hungary

**TaeguTec Hungary Kft.**  
1142 Budapest, Kassai u.151.  
Tel: +36-1-273-29-52  
E-mail: [info@taegutec.hu](mailto:info@taegutec.hu)  
Web: <http://www.taegutec.hu>

## India

**TaeguTec India Pvt. Ltd.**  
Plot Nos 119 & 120, Bommasandra  
Industrial Area, Phase 4, Bengaluru  
560 099, India  
Tel: +91-80-2783-9111  
E-mail: [shankar@taegutec-india.com](mailto:shankar@taegutec-india.com)

## Indonesia

**PT. TaeguTec Indonesia**  
Easton Commercial Center  
Jl. Gunung Panderman Blok B no. 12  
Cikarang Selatan-Bekasi 17550, Indonesia  
Tel: +62-21-29093176/78/79  
E-mail: [sales@taegutec.co.id](mailto:sales@taegutec.co.id)

## Ireland

**Hardmetal Machine Tools Ireland Ltd.**  
Dargan House, Duncairn Terrace,  
Bray Co. Wicklow, Ireland  
Tel: +353-1-286-2466  
E-mail: [sales@hardmetal.ie](mailto:sales@hardmetal.ie)

## Italy

**Ingersoll TaeguTec Italia S.R.L.**  
Via Montegrappa 78, 20020 Arese (MI), Italy  
Tel: +39 02 99 76 67 00  
E-mail: [taegutec@taegutec.it](mailto:taegutec@taegutec.it)

## Japan

**TaeguTec Japan Ltd.**  
- Osaka / Head office  
Senri Asahi Hankyu Bldg. 15F  
1-5-3 Shinsenn-Higashimachi  
Toyonaka-shi Osaka 560-0082, Japan  
Tel: +81-6-6835-7731  
E-mail: [taegutec@taegutec.co.jp](mailto:taegutec@taegutec.co.jp)  
Website: <http://www.taegutec.co.jp>

- Nagoya / Branch office

Tel: +81-52-745-2451

- Tokyo / Branch office

Tel: +81-3-5753-6281

## Lithuania

**UAB TTMT**  
R.Kalantos str. 161  
LT-52315 Kaunas, Lithuania  
Tel: +370-37-328487  
E-mail: [sigitas@ttmt.lt](mailto:sigitas@ttmt.lt)

## Malaysia

**TaeguTec Tooling Systems Malaysia Sdn. Bhd**  
No.23-1&2, Jalan Anggerik Vanilla  
BF 31/BF Kota Kemuning, Seksyen 31  
40460 Shah Alam Selangor Darul, Malaysia  
Tel: +603-5131-7514  
E-mail: [info@taegutec.com.my](mailto:info@taegutec.com.my)

## The Netherlands

**T.C.E.**  
Kennedylaan 14, 5466 AA, Veghel,  
The Netherlands  
Tel: +31 (413) 88 83 10  
E-mail: [info@taegutec.nl](mailto:info@taegutec.nl)  
Website: <http://www.taegutec.nl>

## New Zealand

**TT Pacific**  
1/501 Mt. Wellington Highway  
Sylvia Park, Auckland, New Zealand 1000  
Tel: +64-9-573-1280  
E-mail: [sales@iscar.co.nz](mailto:sales@iscar.co.nz)

## Norway

**Svea Service AS**  
Graaterudveien 20 No-3036 Drammen,  
Norway  
Tel: +47-32-277-750  
E-mail: [per.martin.bakken@svea.no](mailto:per.martin.bakken@svea.no)

## Pakistan

**Dynamic Tooling Services**  
Office No.301, 3rd Floor,  
Royal Center, Blue Are, Fazal-E-  
Haque Road, Islamabad, Pakistan  
Tel: +92-51-2806197  
E-mail: [info@dts.com.pk](mailto:info@dts.com.pk)

## Philippines

**Coit Commercial Inc.**  
Suite 508 Padilla delos Reyes Bldg,  
292 Juan Luna St., Binondo, Manila  
Philippines  
Tel: +63-2-244-9756  
E-mail: [cyrus@coit.com.ph](mailto:cyrus@coit.com.ph)

## Poland

**TaeguTec Poland Sp. z o.o.**  
Ul. Koscielna 8  
52-314 Wrocław, Poland  
Tel: +48 71 785 40 85  
E-mail: [sales@taegutec.pl](mailto:sales@taegutec.pl)

## Portugal

**Hexatool, S.A.**  
Rua Casal Galego, No. 40.44  
2430 Marinha Grande, Portugal  
Tel: +351-244-55042/5  
E-mail: [hexatool@hexatool.com](mailto:hexatool@hexatool.com)

## Romania

**SC TaeguTec Tools SRL**  
Splaiul Unirii, nr. 4, Bl. B3, 5th Floor,  
Office 5.1, District 4., Bucharest,  
Romania, 040031  
Tel: +4021 210 3108  
E-mail: [marian.luca@taegutec.ro](mailto:marian.luca@taegutec.ro)

## Russia

**TaeguTec Russia**  
123290, Russia, Moscow,  
2nd Magistralnaya str, 8A, building 5  
Tel: +7-495-269-7917  
E-mail: [sales@taegutec.ru](mailto:sales@taegutec.ru)

## Serbia

**Intehna Beo d.o.o.**  
Autoput 22, 11080 Zemun, Serbia  
Tel: +381-11-3149-092  
E-mail: [info@intehna.beo.rs](mailto:info@intehna.beo.rs)

## Singapore

**TT Tooling Systems**  
BK502, #03-823, Jurong West Avenue 1,  
Singapore 640502  
Tel: +65-6-4254918  
E-mail: [kitan@sinotool.com.sg](mailto:kitan@sinotool.com.sg)

## Slovakia

**TaeguTec Slovakia, s.r.o.**  
Bytčická 2/44 010 01 Žilina  
Slovak Republic  
Tel: +421 41 7000056  
E-mail: [matus@taegutec.sk](mailto:matus@taegutec.sk)

## Slovenia

**Intehna d.o.o.**  
Špruha 40, SI-1236, Trzin, Slovenia  
Tel: +386-1-580-9260  
E-mail: [info@intehna.si](mailto:info@intehna.si)

## South Africa

**TaeguTec South Africa (Pty) Ltd.**  
P.O. Box 3121, Springs, 1560  
43 South Main Reef Road,  
New Era Springs Gauteng, South Africa  
Tel: +2711-362-1500  
E-mail: [info@taegutec.co.za](mailto:info@taegutec.co.za)

## Spain

**TaeguTec Spain S.L**  
Miquel Servet, 35 P.I.Bufalvent  
08243 Manresa (Barcelona), Spain  
Tel: +34-93-873-7309-10  
E-mail: [info@taegutec.es](mailto:info@taegutec.es)

## Sweden

**SMV Verktyg AB**  
Parkgatan 6  
SE-333 31 Smalandsstenar, Sweden  
Tel: +46-371-343-48  
E-mail: [verktyg@smv.se](mailto:verktyg@smv.se)

## Taiwan

**TaeguTec Taiwan**  
3F, No.56, Min Tai St., Ku-Shan Dist.,  
Kaohsiung City 804, Taiwan (R.O.C.)  
Tel: +886-7-5505966  
E-mail: [info@tw.taegutec.com](mailto:info@tw.taegutec.com)

## Thailand

**TaeguTec (Thailand) Co.,Ltd.**  
6/177 M.7 Srinakarini Rd.,  
T.Bangmuang, A.Muangsamutprakarn,  
Samutprakarn 10270, Thailand  
Tel: +662-759-9300, 662-759-9172  
E-mail: [info@taegutecthai.co.th](mailto:info@taegutecthai.co.th)

## Turkey

**TaeguTec Turkey**  
TOSB Otomotiv Yan Sanayi Ihtisas  
Organize Sanayi Bolgesi  
1.Cad. 15. Sokak No:9 41420 Şekerpınar  
Çayirova/KOCAELI, Türkiye  
Tel: +90-850-201-69-00  
E-mail: [info@taegutec.com.tr](mailto:info@taegutec.com.tr)

## Ukraine

**TaeguTec Ukraine**  
40-b, Pushkina avenue, Dnepropetrovsk  
Ukraine, 49006  
Tel: +38-056-790-84-09  
E-mail: [td@taegutec.com.ua](mailto:td@taegutec.com.ua)

## United Arab Emirates

**A.F.Husain**  
Al Ghurair W/H Shed No. 60  
Al Quoz Industrial Area  
P.O. Box: 4007 Dubai, UAE  
Tel: +971-4-3400034  
E-mail: [info@afh-tools.com](mailto:info@afh-tools.com)

## United Kingdom

**TaeguTec UK Ltd.**  
Waterside, Grange Park, Wetherby,  
Leeds, LS22 5NB, United Kingdom  
Tel: +44-1937-589-828  
E-mail: [info@taegutec.co.uk](mailto:info@taegutec.co.uk)

## U.S.A.

**Ingersoll Cutting Tools**  
845 S Lyford Road Rockford,  
IL 61108-2749, U.S.A.  
Tel: +1-815-387-6600  
E-mail: [info@ingersoll-ilmc.com](mailto:info@ingersoll-ilmc.com)

## Vietnam

**DMC Technology Co., Ltd.**  
No. 109, Cong Hoa Street, Ward 12,  
Tan Binh District, Ho Chi Minh City,  
Vietnam.  
Tel: +84-8-62925556  
E-mail: [info@dmctech.com.vn](mailto:info@dmctech.com.vn)



- Cat.No: 6157305
- English Version: CT 08/2016
- ©TaeguTec LTD.