

NPN

New Product News



HUSHBORE

ANTI VIBRATION BAR

HUSH-BORE Sleeve



KEY POINT

TaeguTec has released specific sleeves for quick and easy setting of HUSH-BORE boring bars.

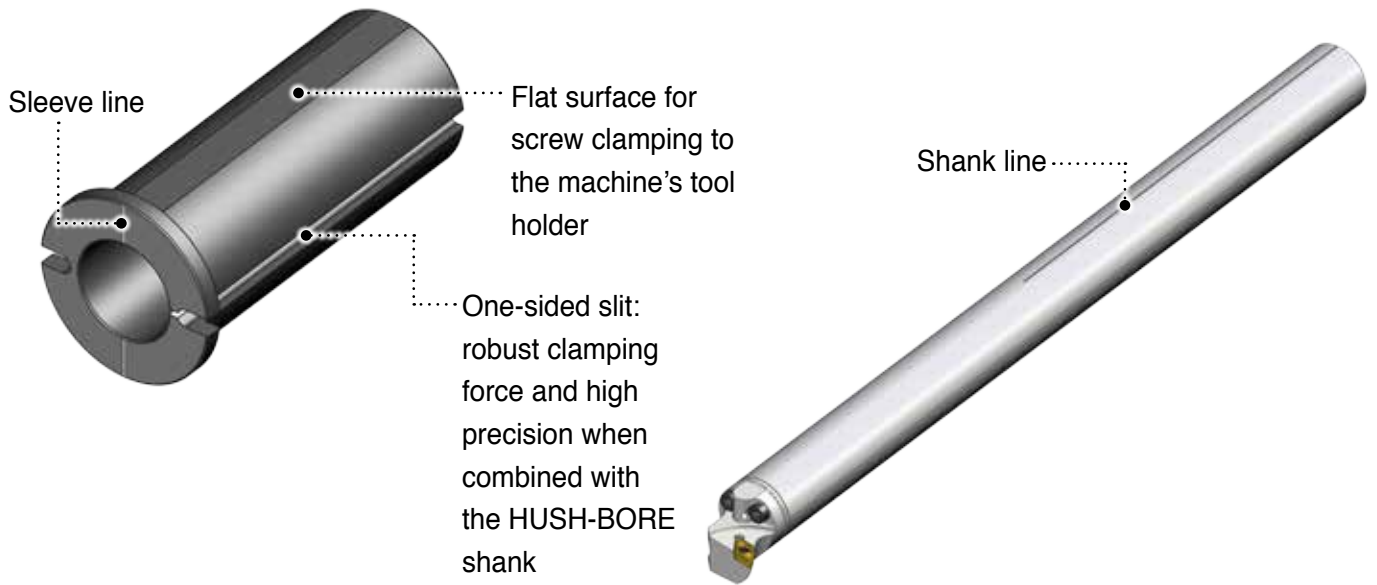
Vibration free HUSH-BORE boring bars are cylindrical shank type products, with no flat parts, for deep internal turning operations in 7xBD to 10xBD (BD: shank diameter) range. Therefore, based on the flat surface design of the head, set-up time can become an issue.

To solve this issue, TaeguTec has launched HUSH-BORE sleeves that can be easily set up in the machine's tool holder.

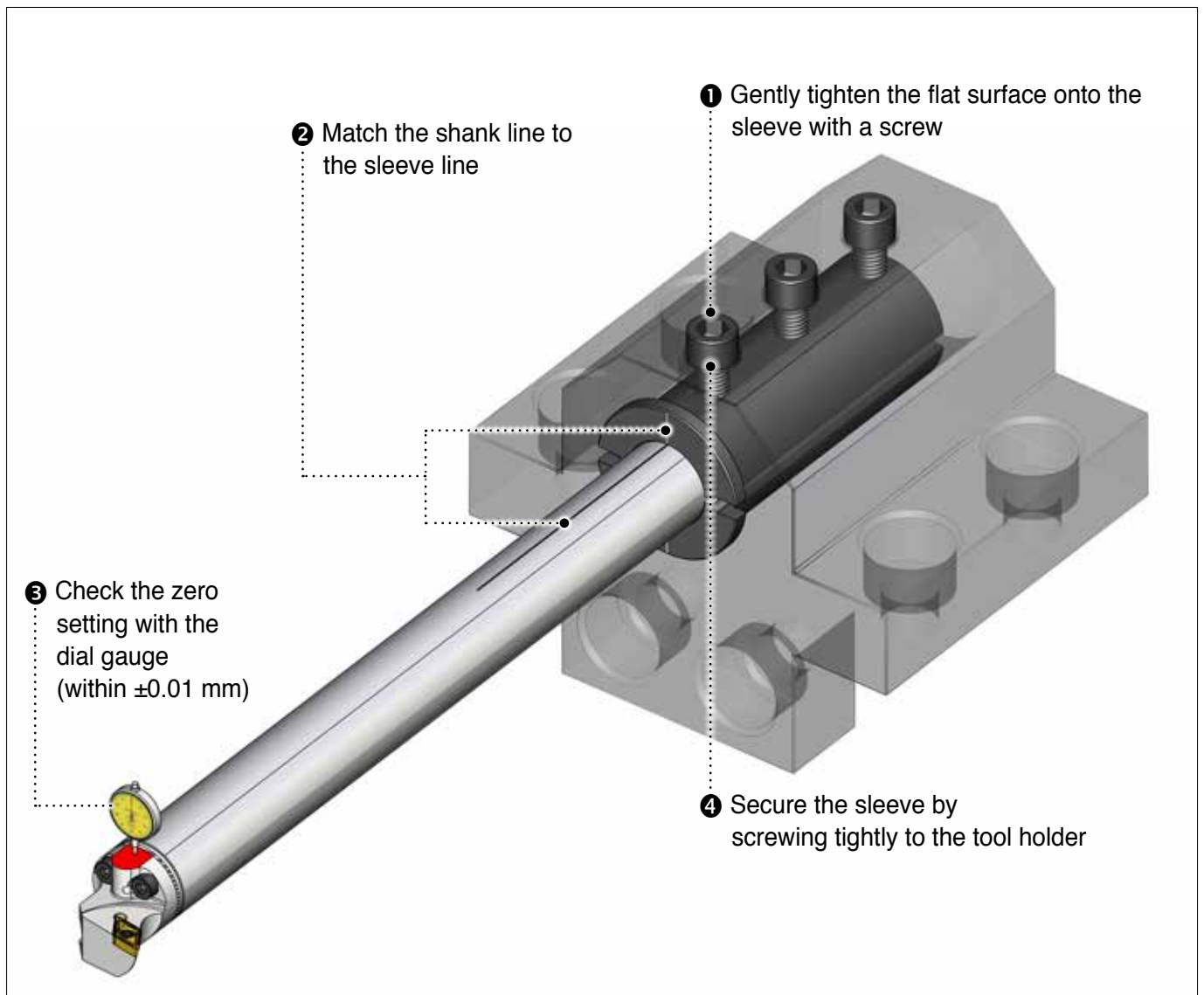
These specific sleeves with one-sided slit maintain a robust clamping force and high precision because of its wide contact area when combined with the new HUSH-BORE shank. First, gently tighten the flat surface onto the sleeve with a screw onto the holder. Second, match the HUSH-BORE's shank line with the sleeve-line. Third, check the zero setting with the dial gauge, ensure it is within ± 0.01 mm. Fourth, secure the sleeve by screwing tightly to the tool holder. Thereby, making for easier, faster setting time with better accuracy.

Features

- Easier and faster shank setting time due to simpler, yet practical design
- Robust clamping force and high precision
- Full sleeve line for HUSH-BORE shank diameter range($\varnothing 16-50$ mm)



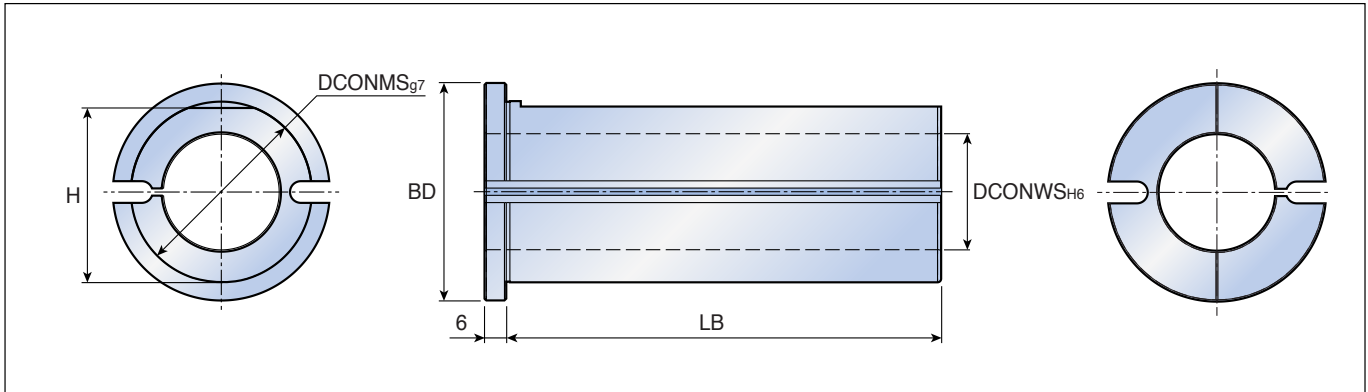
Setting procedure



QSL



HUSH-BORE sleeve



Designation	Dimension (mm)				
	DCONMS	DCONWS	BD	LB	H
QSL- 32-16-L66	32	16	42	60	31.0
32-20-L66	32	20	42	60	31.0
32-25-L66	32	25	42	60	31.0
40-16-L106	40	16	50	100	38.5
40-20-L106	40	20	50	100	38.5
40-25-L106	40	25	50	100	38.5
40-32-L106	40	32	50	100	38.5
50-20-L126	50	20	60	120	48.5
50-25-L126	50	25	60	120	48.5
50-32-L126	50	32	60	120	48.5
50-40-L126	50	40	60	120	48.5
60-32-L156	60	32	70	150	58.5
60-40-L156	60	40	70	150	58.5
60-50-L156	60	50	70	150	58.5